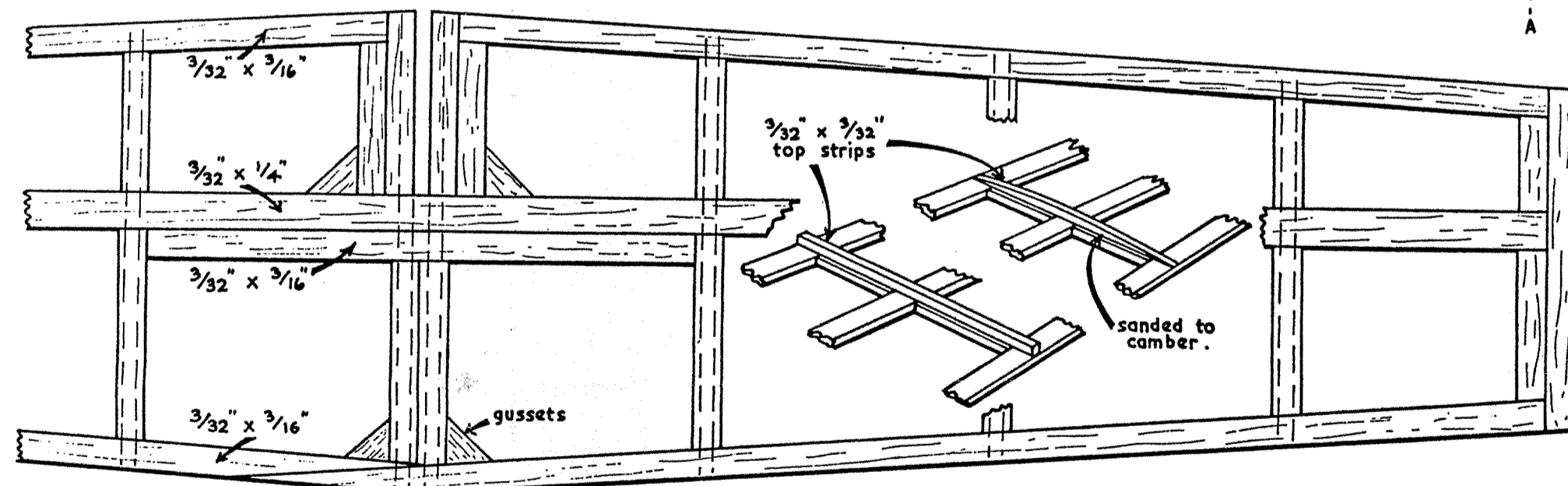
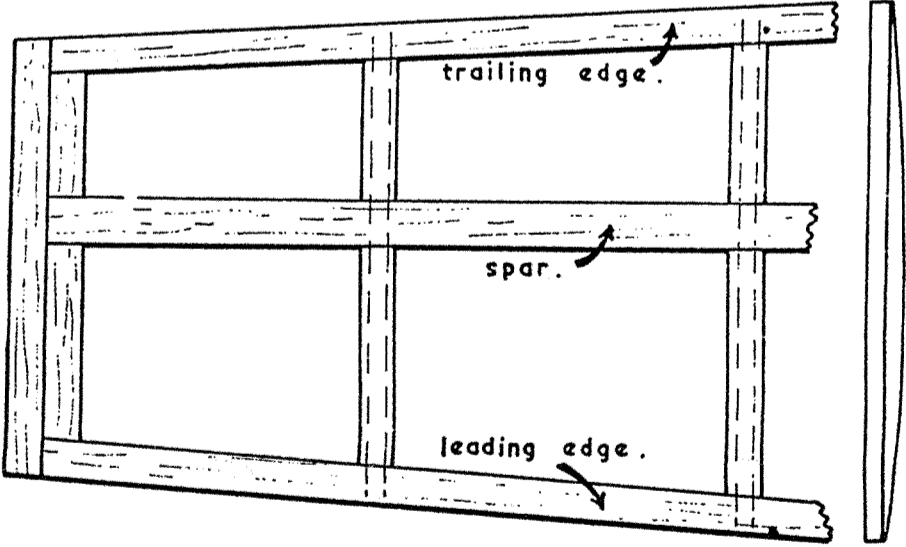
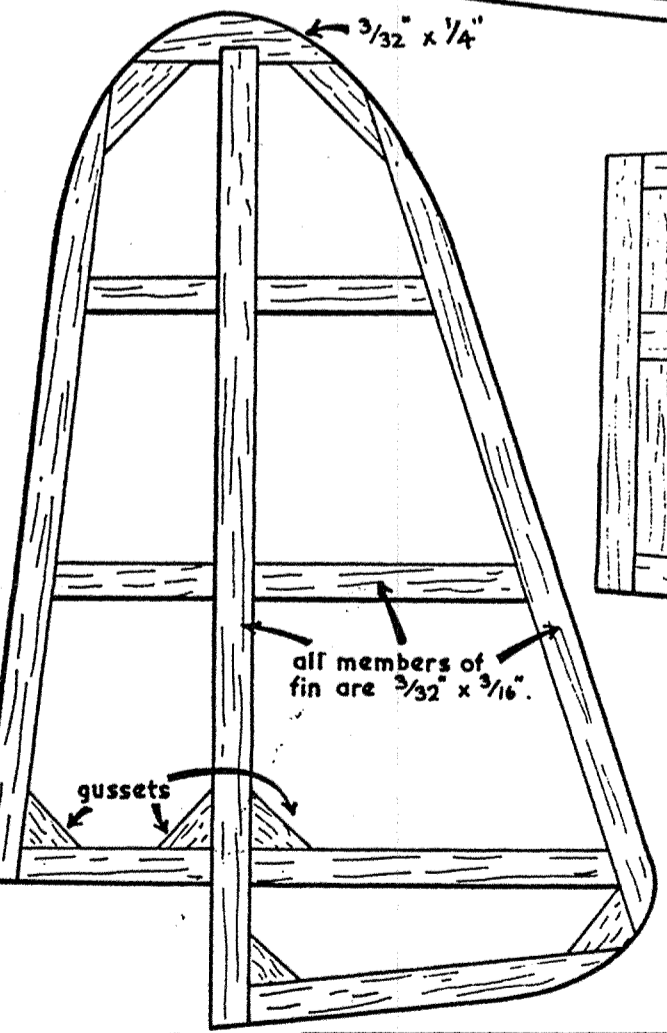
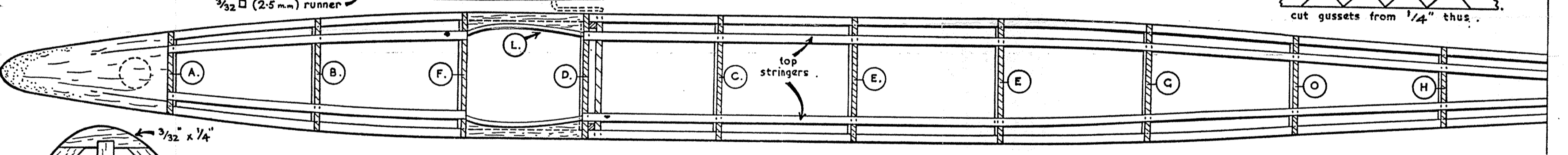
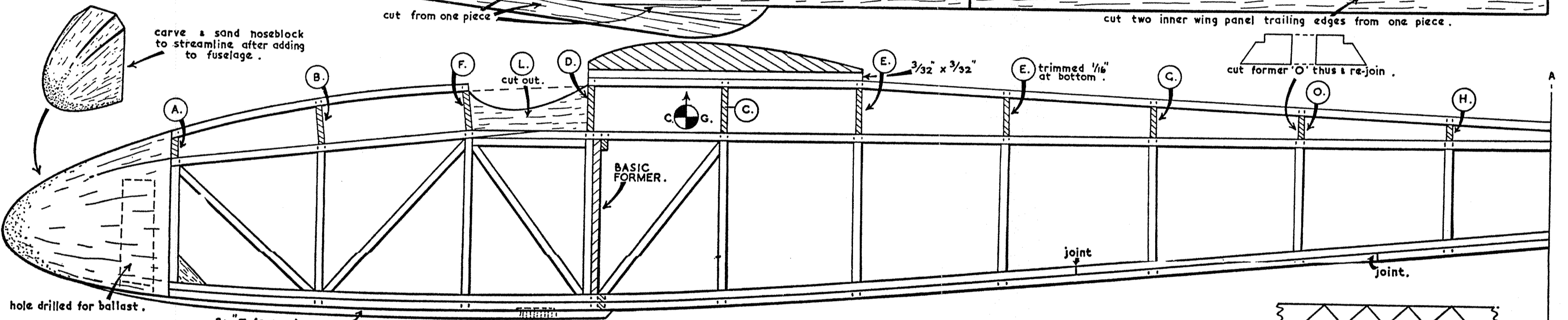
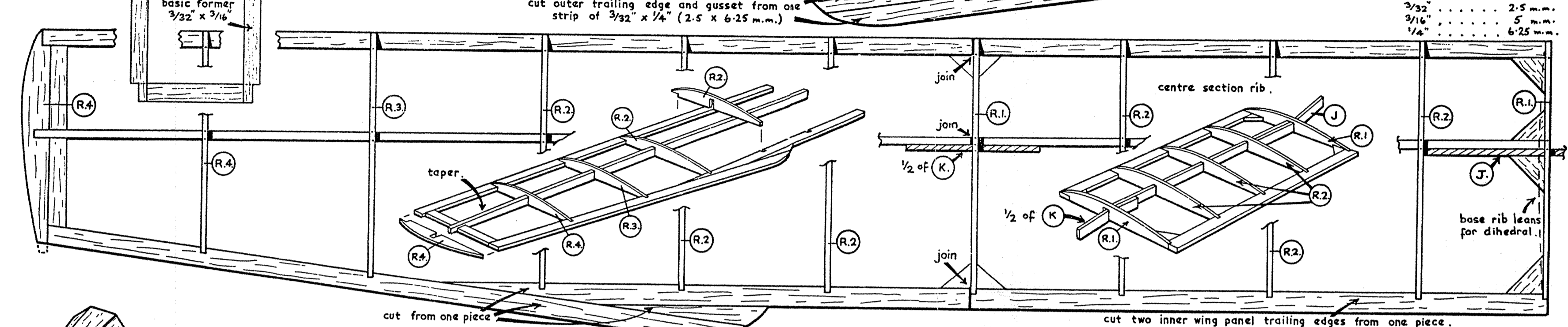
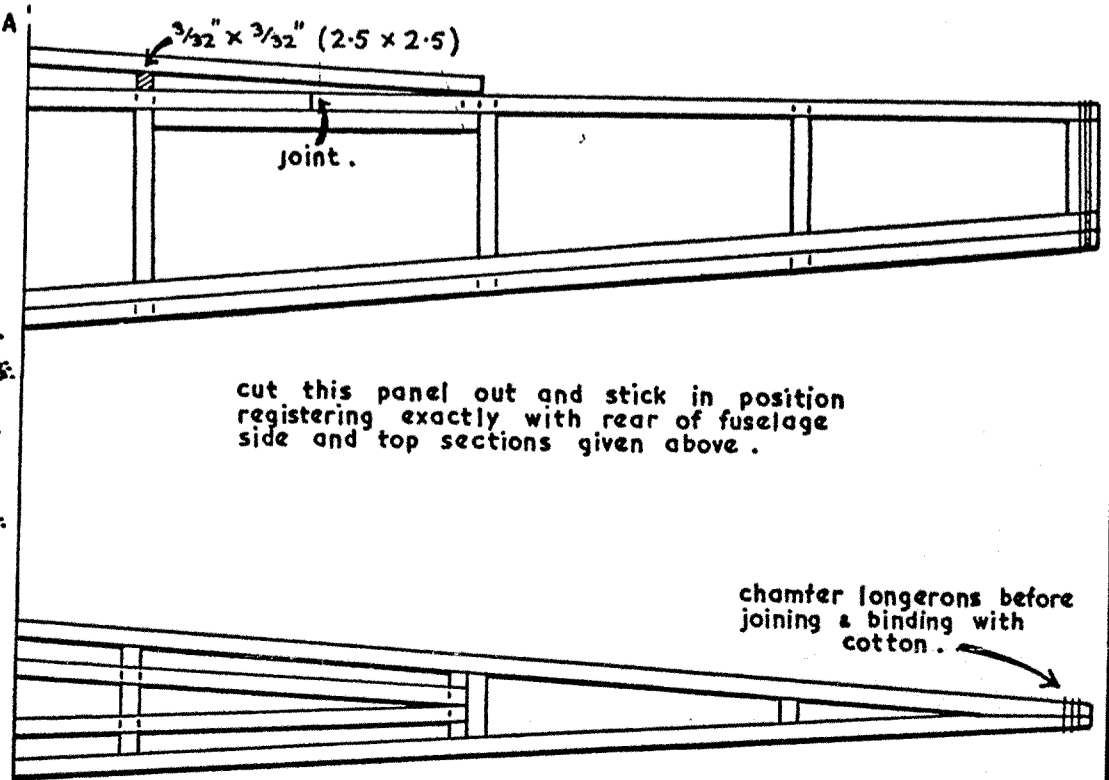
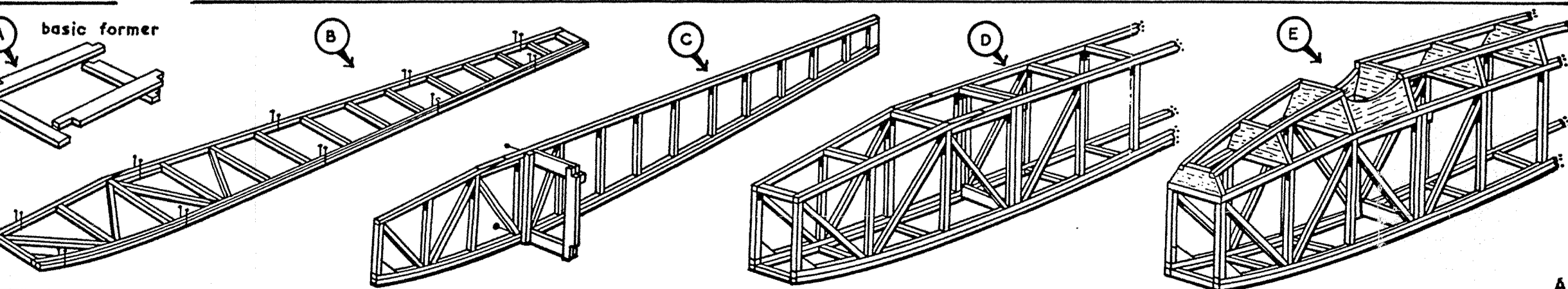


**CONVERSIONS**

inches	metric
$\frac{1}{16}$	1.5 mm
$\frac{3}{32}$	2.5 mm
$\frac{3}{16}$	5 mm
$\frac{1}{4}$	6.25 mm



**COMBI-KIT**  
**VERON**  
**36" SPAN**  
**'CLASSIC'**  
**GLIDER**



0 50 100 150 mm

