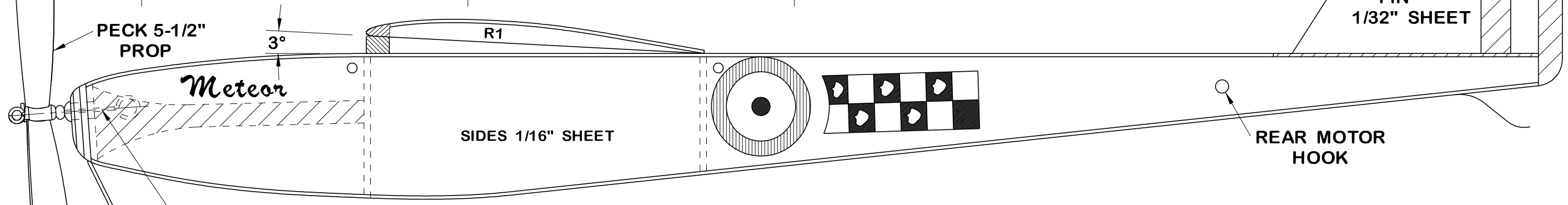
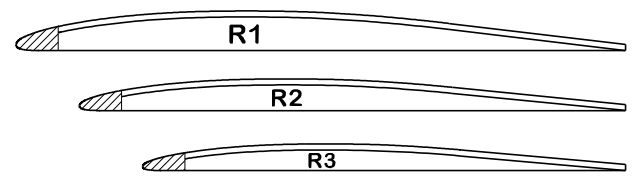
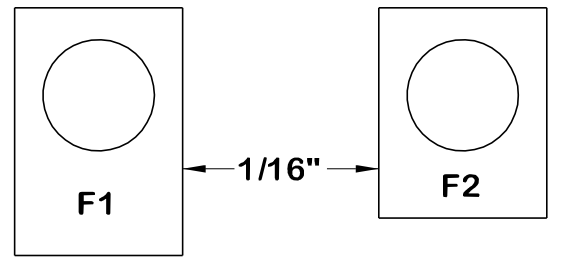


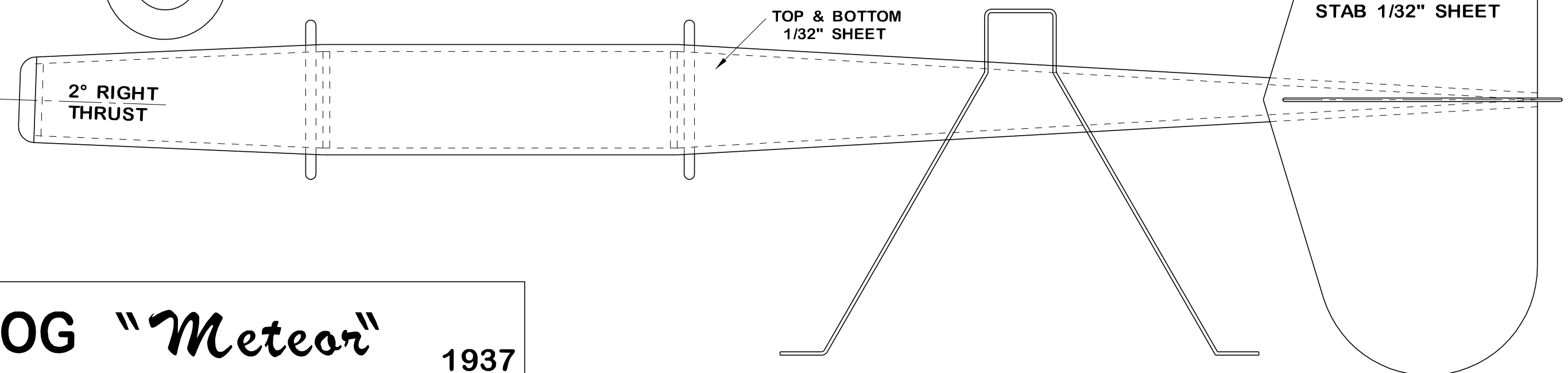
ALTERNATE LEADING EDGE:
TAPERS FROM .125" TO .080" OR 1/8" X 5/64"
MAKE FROM .125 X .22 OR 1/8" X 7/32" BALSA
THE TAPERING TO BE DONE AFTER THE WING
HALF IS ASSEMBLED, THEN SANDING IN THE
LEADING EDGE.



4° OF DOWN THRUST



ALTERNATE WING CONSTRUCTION:



FROG "Meteor" 1937