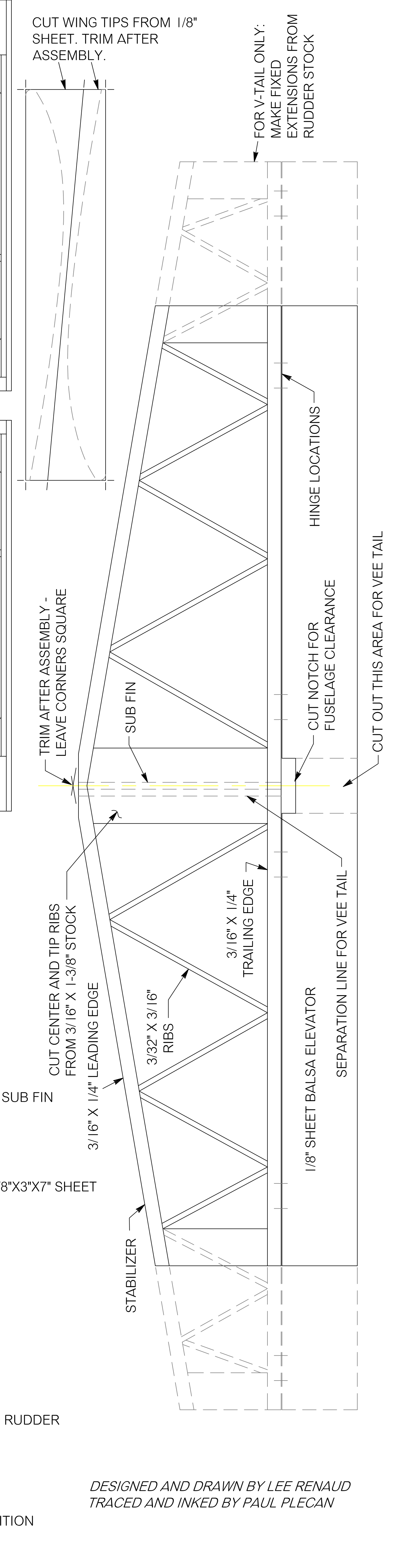
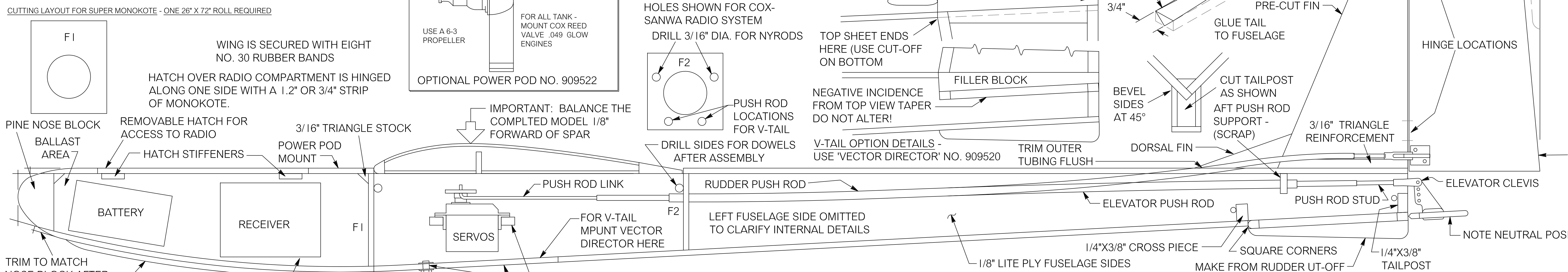
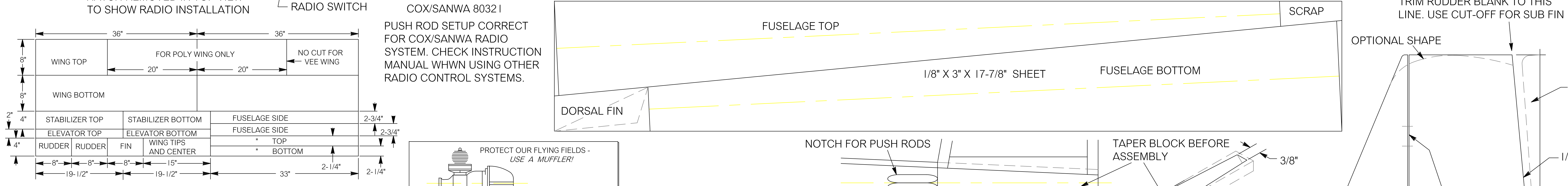
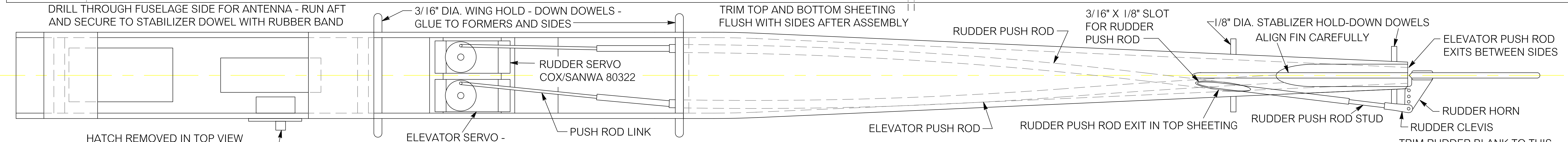
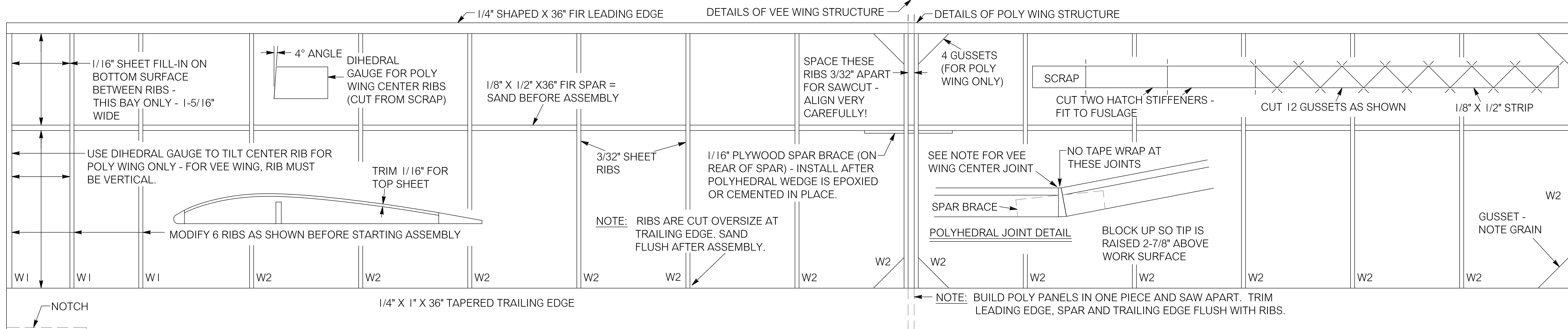
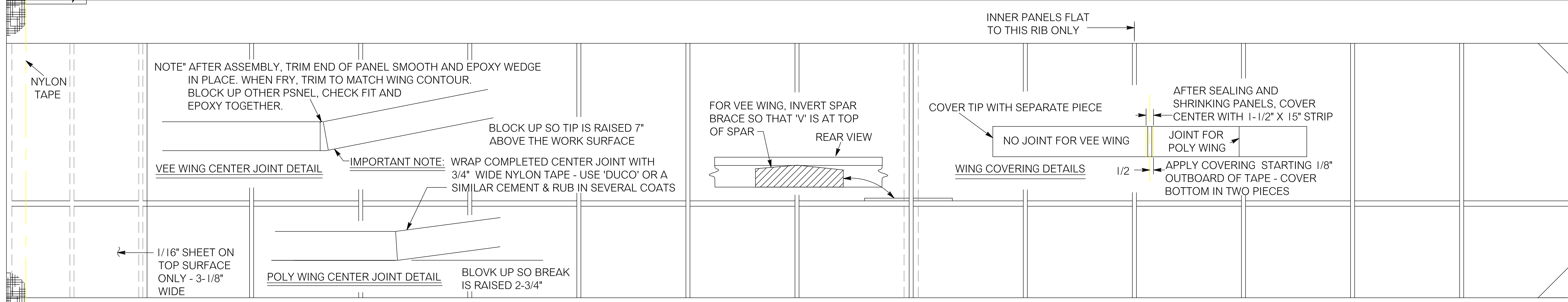


AFTER JOUING PANELS, NOTCH TRAILING EDGE FOR .070" X 3.5" WIRE REINFORCEMENT. BEND WIRE TO MATCH ANGLE, EPOXY IN PLACE, THEN WRAP JOINT.

**IMPORTANT NOTE:** AFTER COVERING WING, TWIST TIP PANELS SO THAT THE TRAILING EDGE IS RAISED 1/4" HIGHER THAN THE LEADING EDGE AND RE-SHRINK COVERING (MEASURED AT TIP RIB). BE SURE BOTH PANELS HAVE THE SAME AMOUNT OF TWIST (WASHOUT).



# SQUARE SOAR 72

© COX HOBBIES INC. 1977 PLAN NO. 91011700

**AIRTRONICS** quality PLUS performance

DESIGNED AND DRAWN BY LEE RENAUD  
 TRACED AND INKED BY PAUL PLECAN