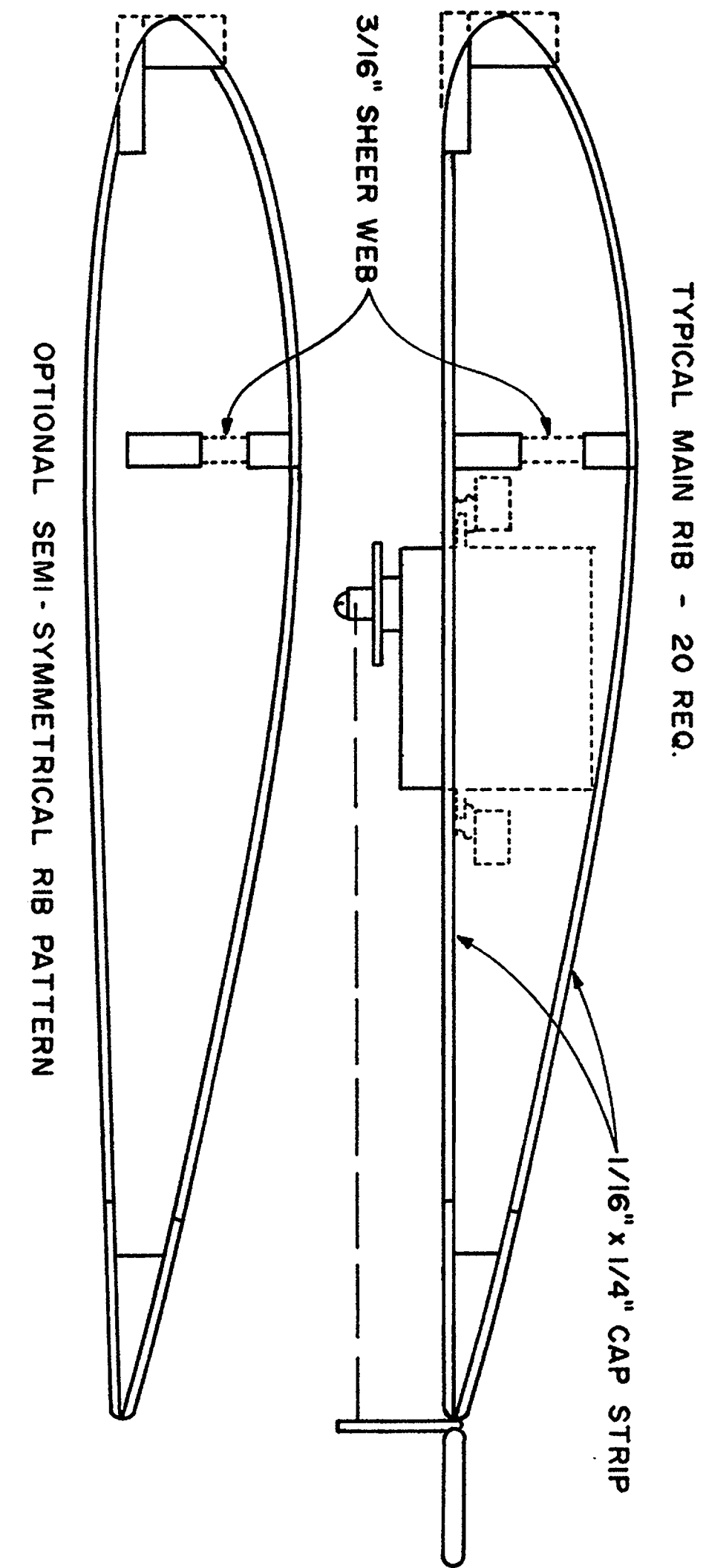


DESIGNED FOR HB .25RC MOTOR

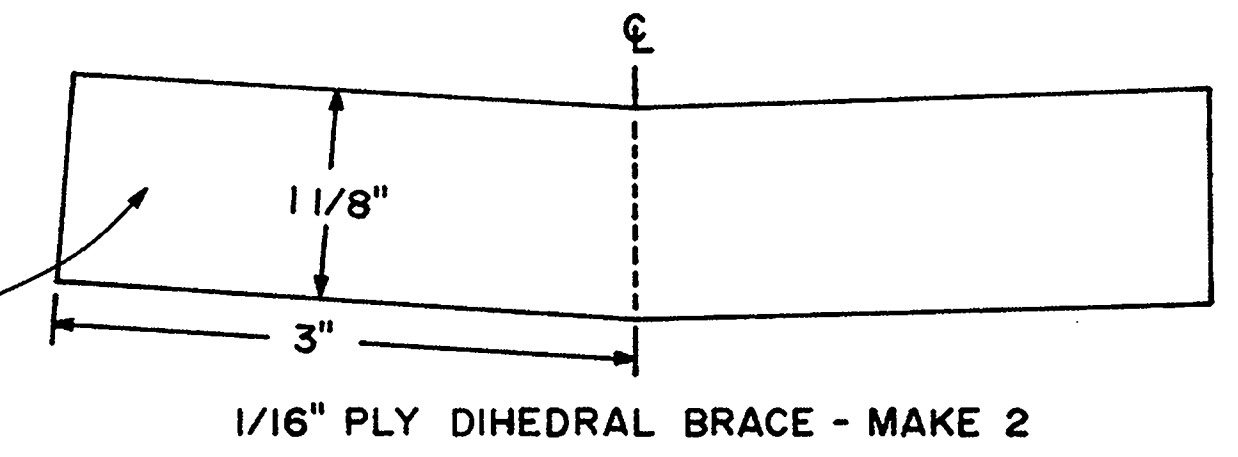
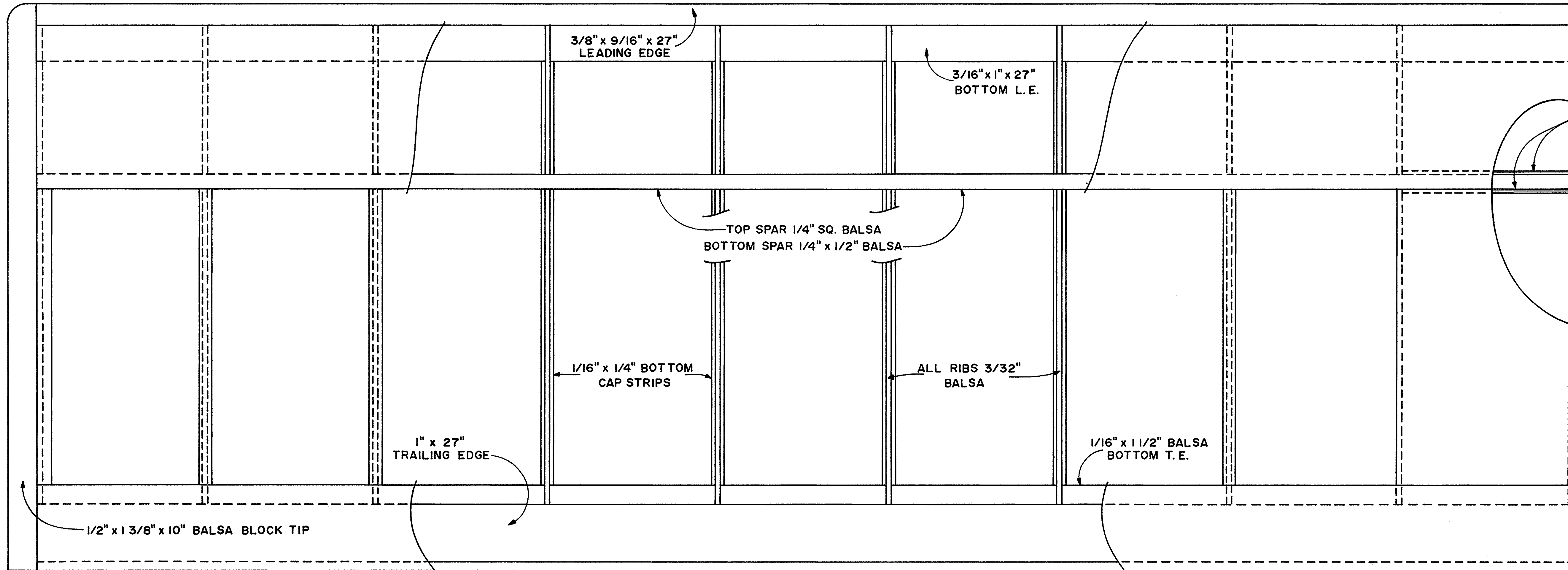
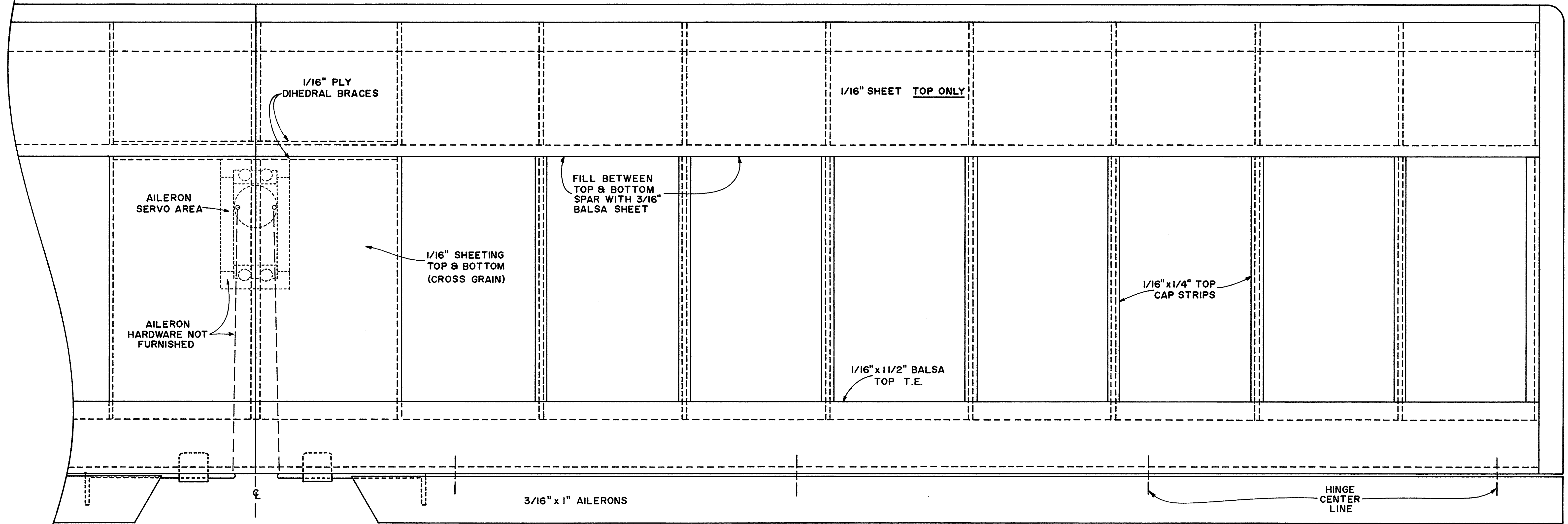
BEGIN-AIR TRAINER

DESIGNED BY: **BUZZ WALTZ**
 DATE: 2-8-82
 INKED BY: MONTY LAWLER
 JUST PLANE FUN MODELS
 BUZZ WALTZ R/C DESIGNS
 FUSE & STAB DETAILS

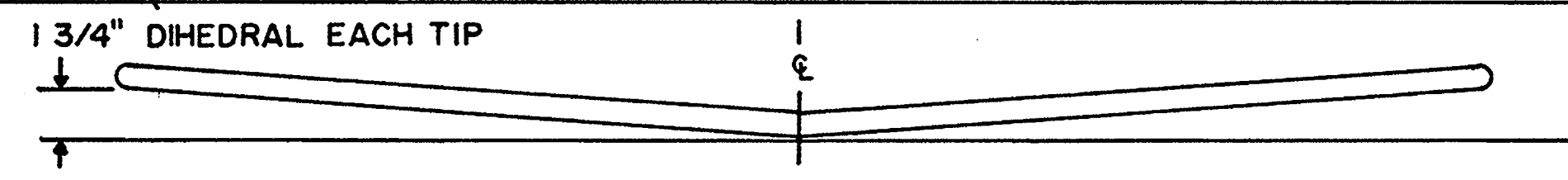
SCALE: AS SHOWN
 REVISED: 12-14-82
 DRAWN BY:
 DRAWING NUMBER
 FS-1



TYPICAL MAIN RIB - 20 REQ.



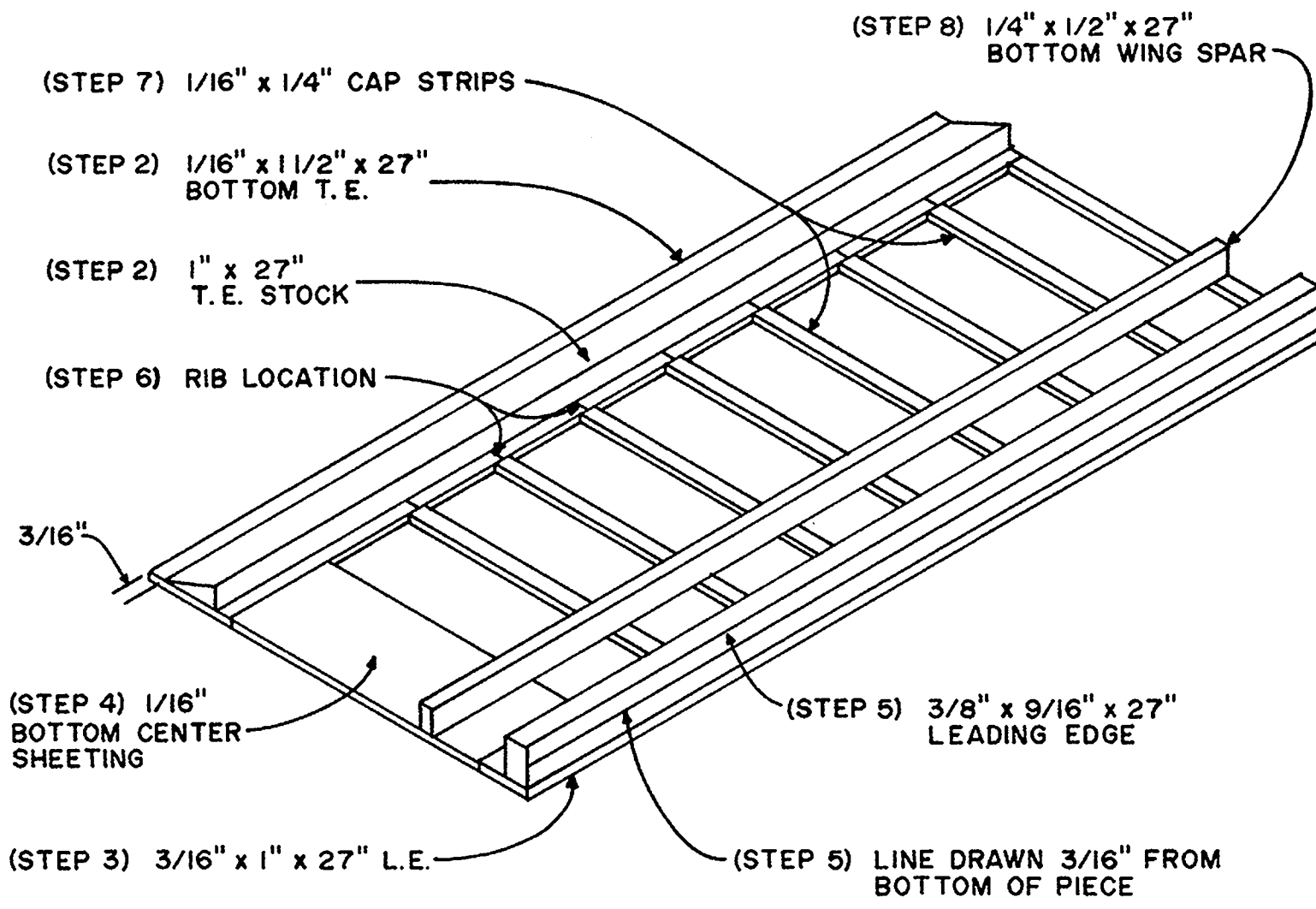
NOTICE: AFTER TWO WING HALFS ARE JOINED AND EPOXIED WITH THE TWO 1/16" DIHEDRAL BRACES, SHEET THE TOP HALFS WITH 1/16" Balsa AND WRAP CENTER SECTION WITH 3" - 2 oz. FIBERGLASS CLOTH AND RESIN FOR PROPER STRENGTH.



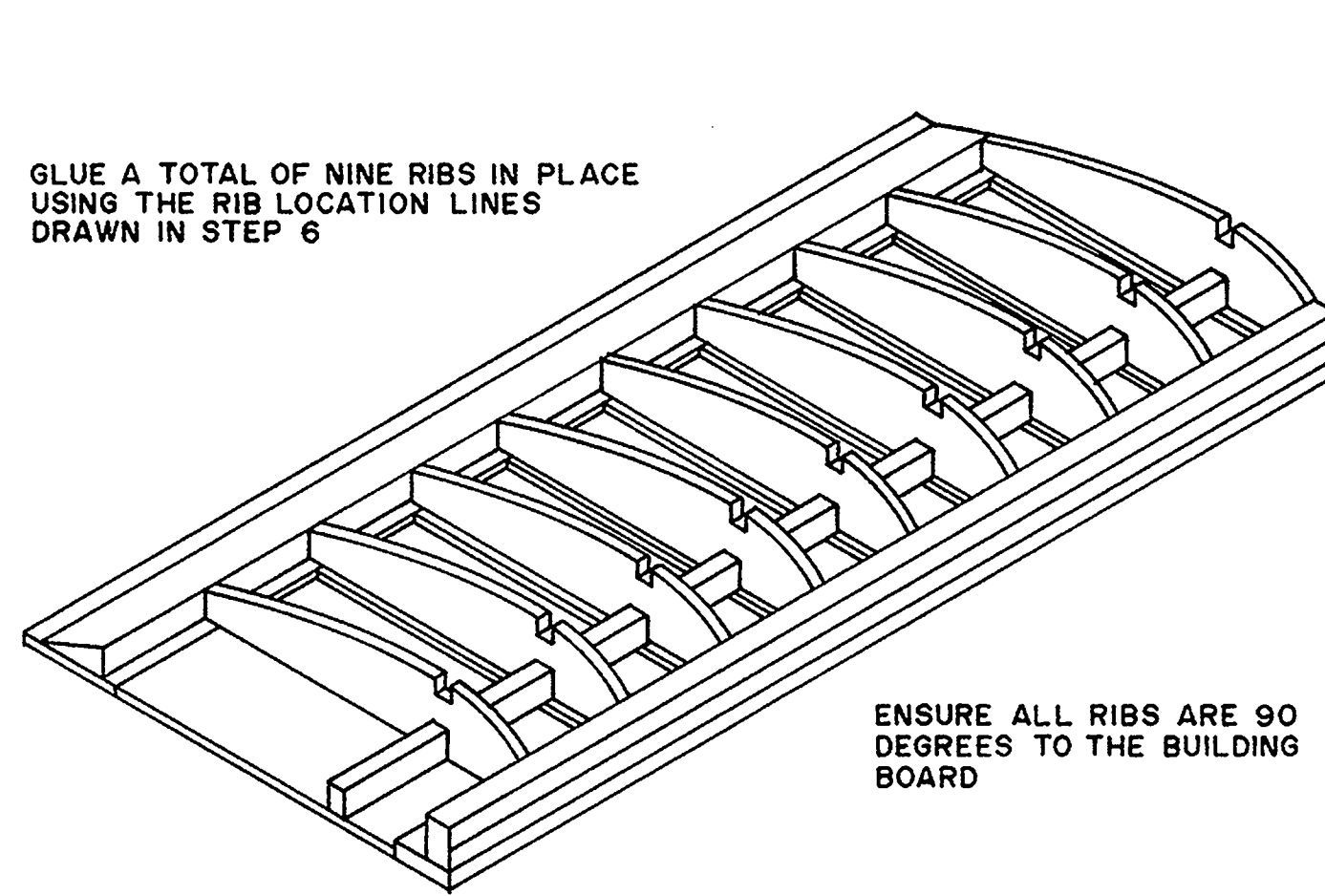
© DO NOT REPRODUCE WITHOUT PERMISSION

BEGIN AIR TRAINER	
DESIGNED BY: BUZZ WALTZ	SCALE: AS SHOWN
INKED BY: MONTY LAWLER	DATE: 2-8-82
	REVISED: 12-14-82
JUST PLANE FUN MODELS BUZZ WALTZ R/C DESIGNS	
WING DETAILS	DRAWING NUMBER W-1

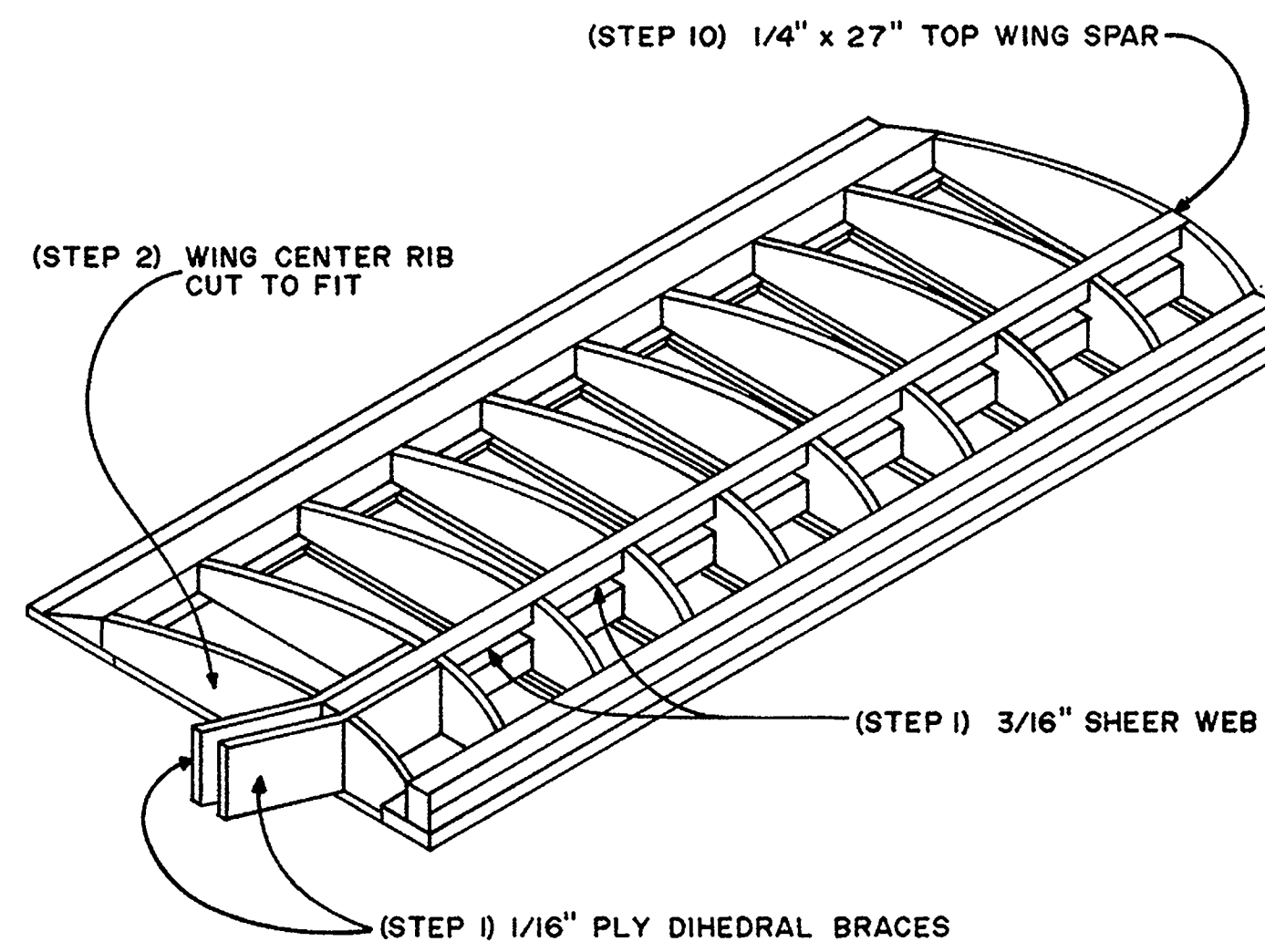
DRAWING "A"



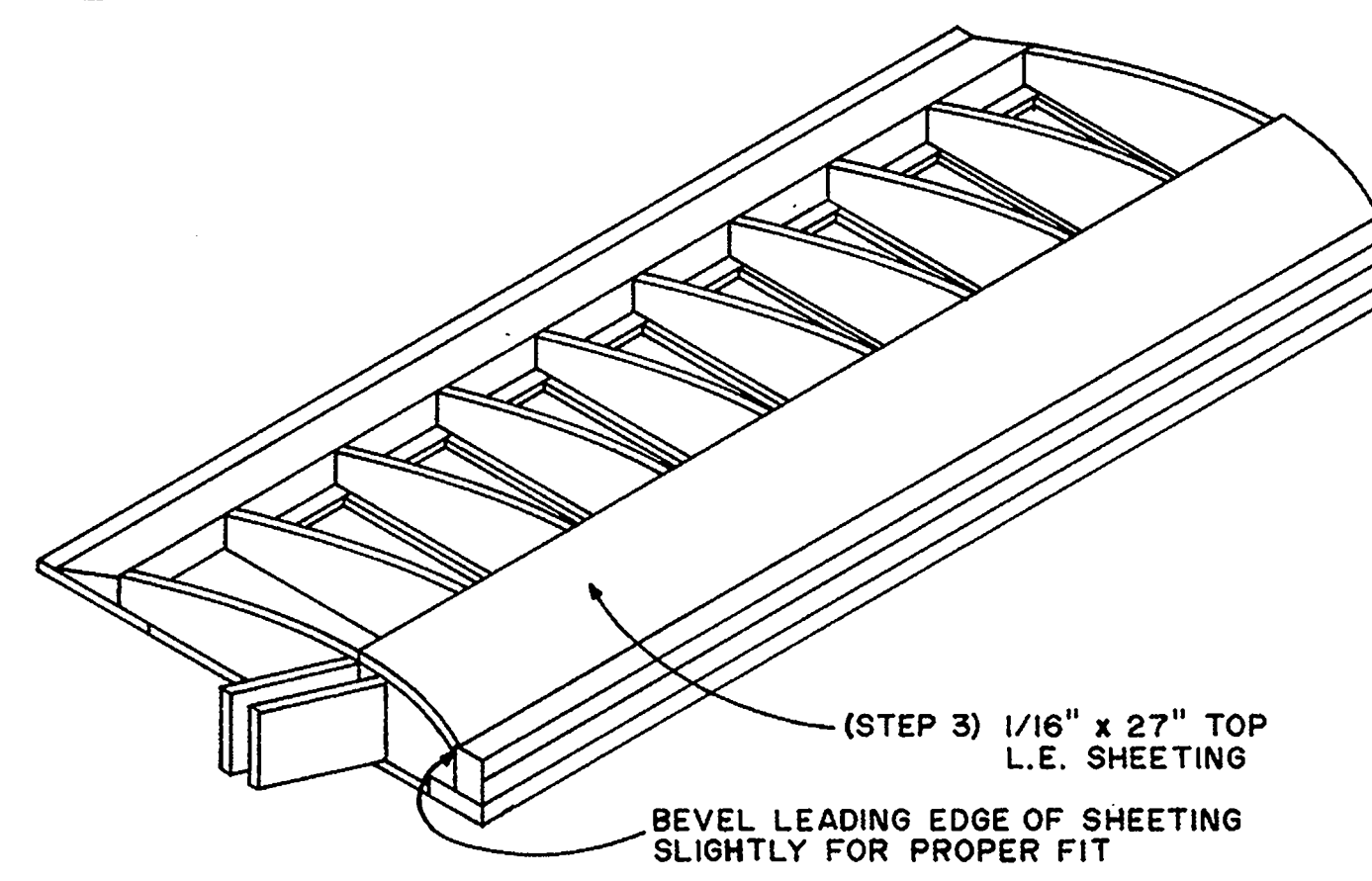
DRAWING "B"



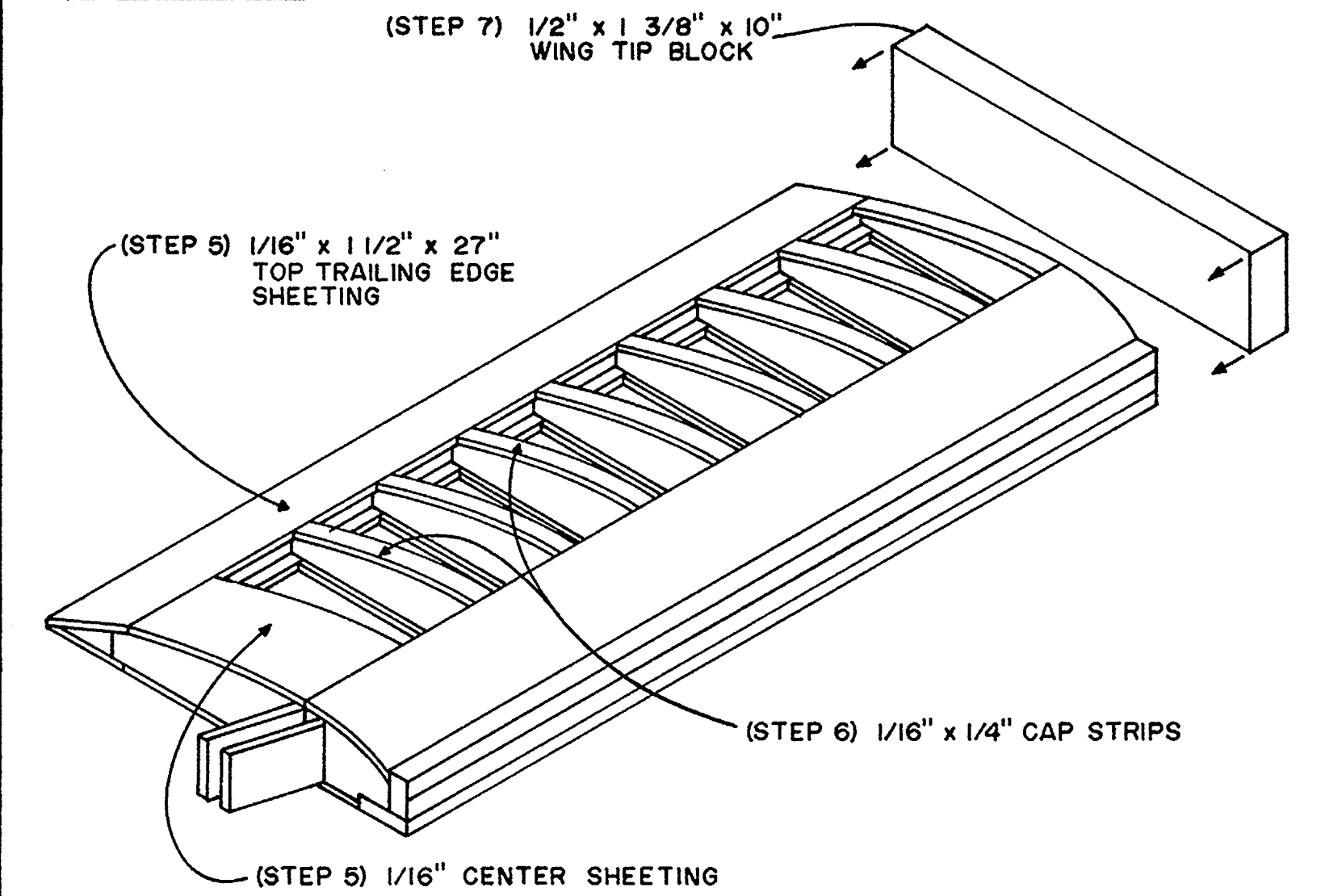
DRAWING "C"



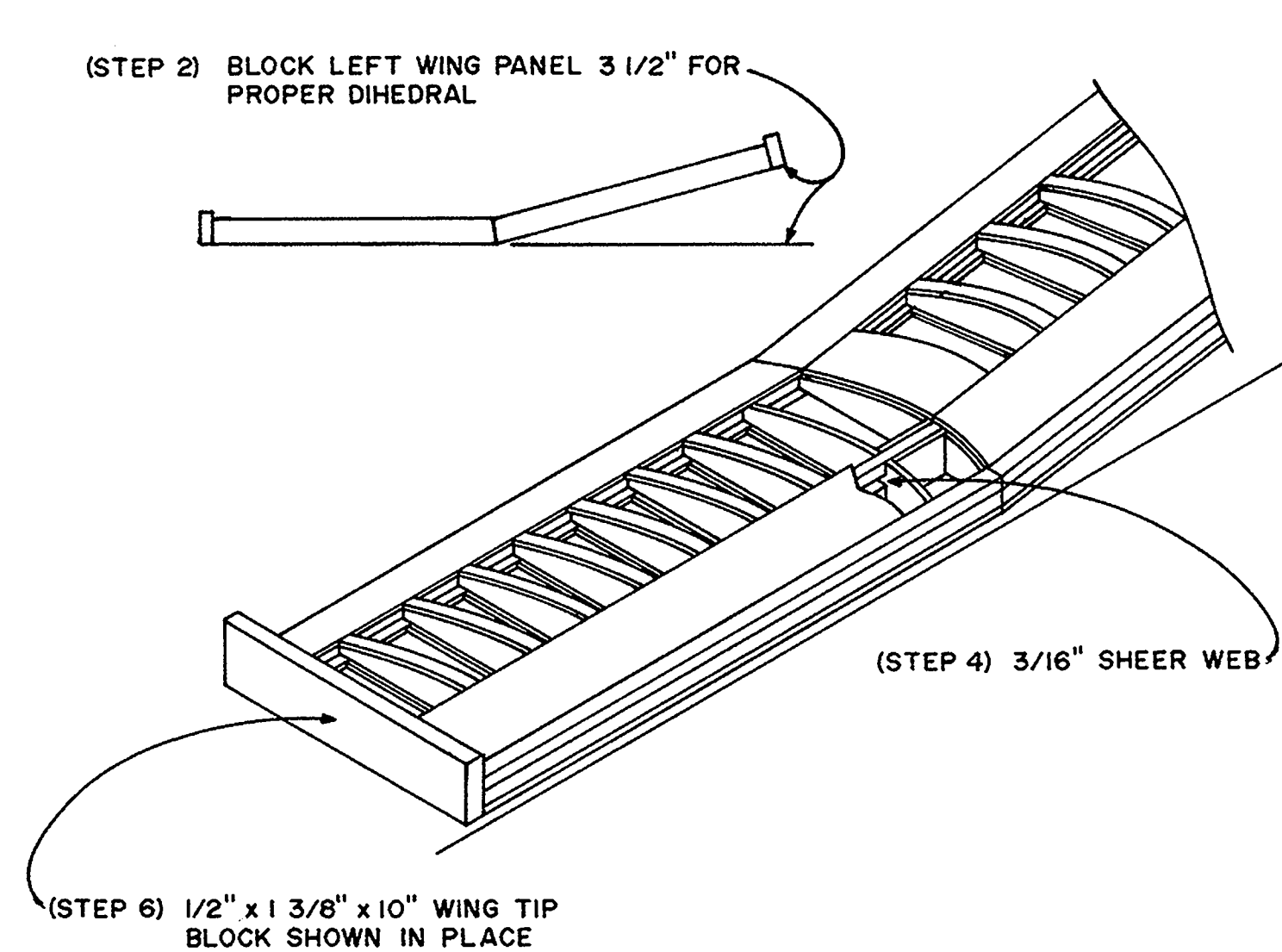
DRAWING "D"



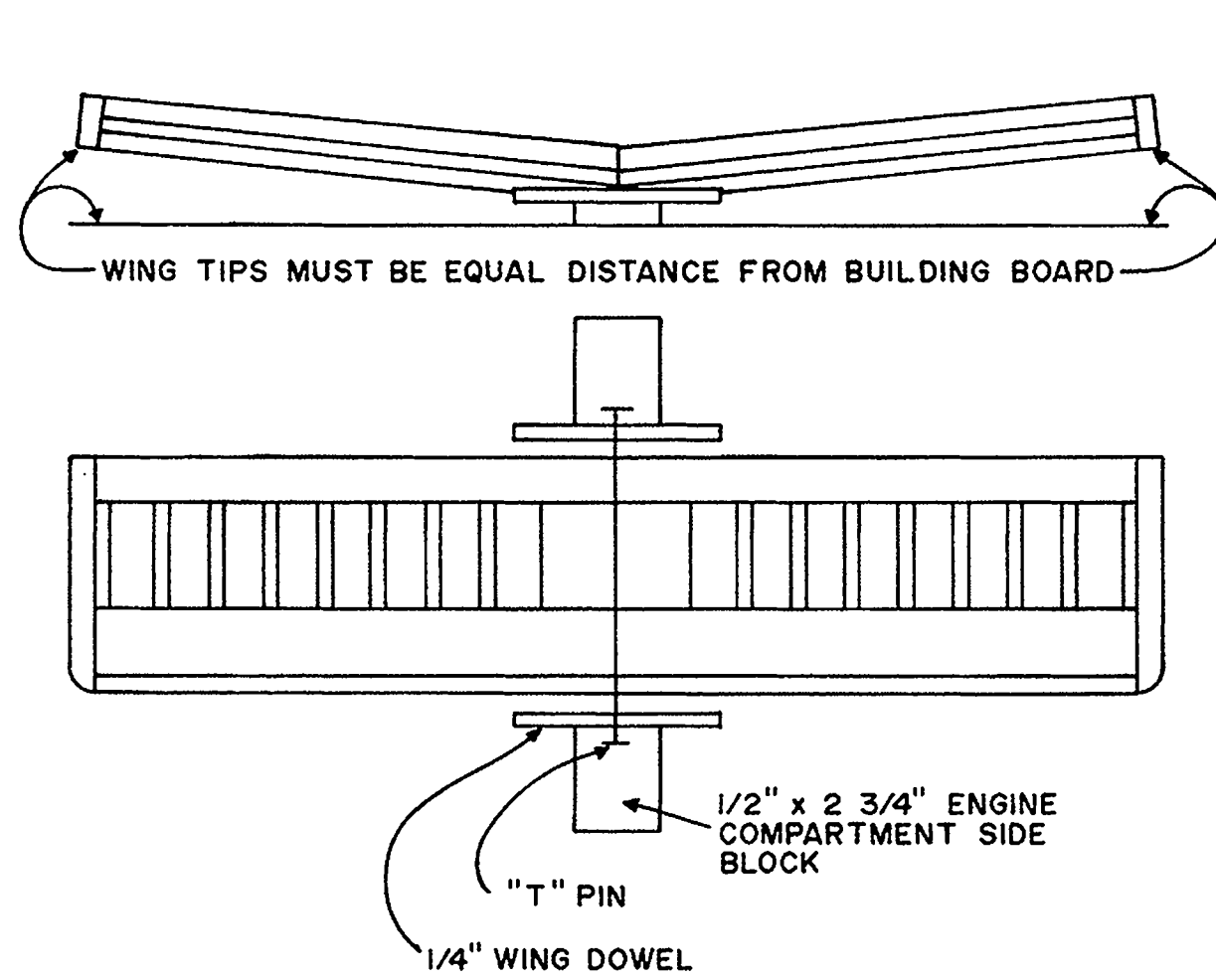
DRAWING "F"



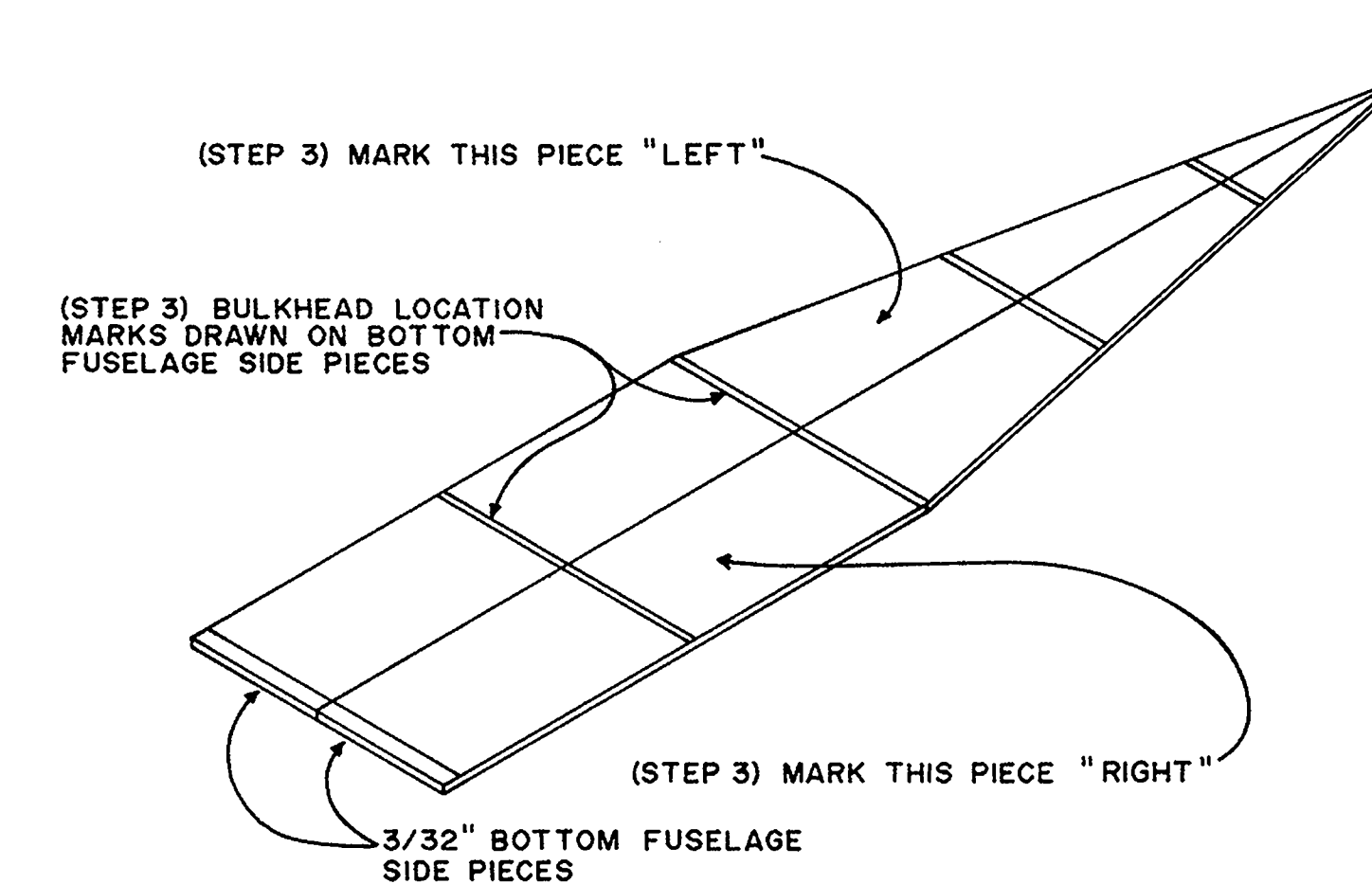
DRAWING "G"



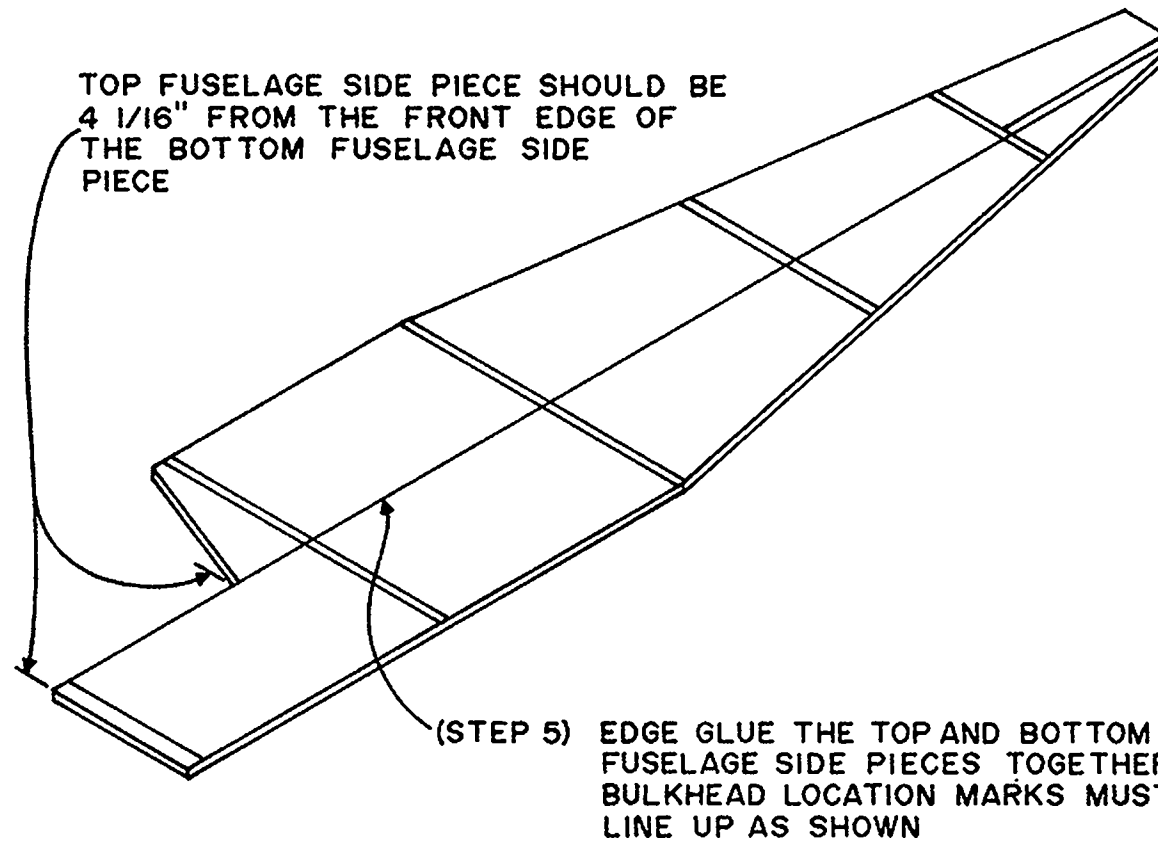
DRAWING "H"



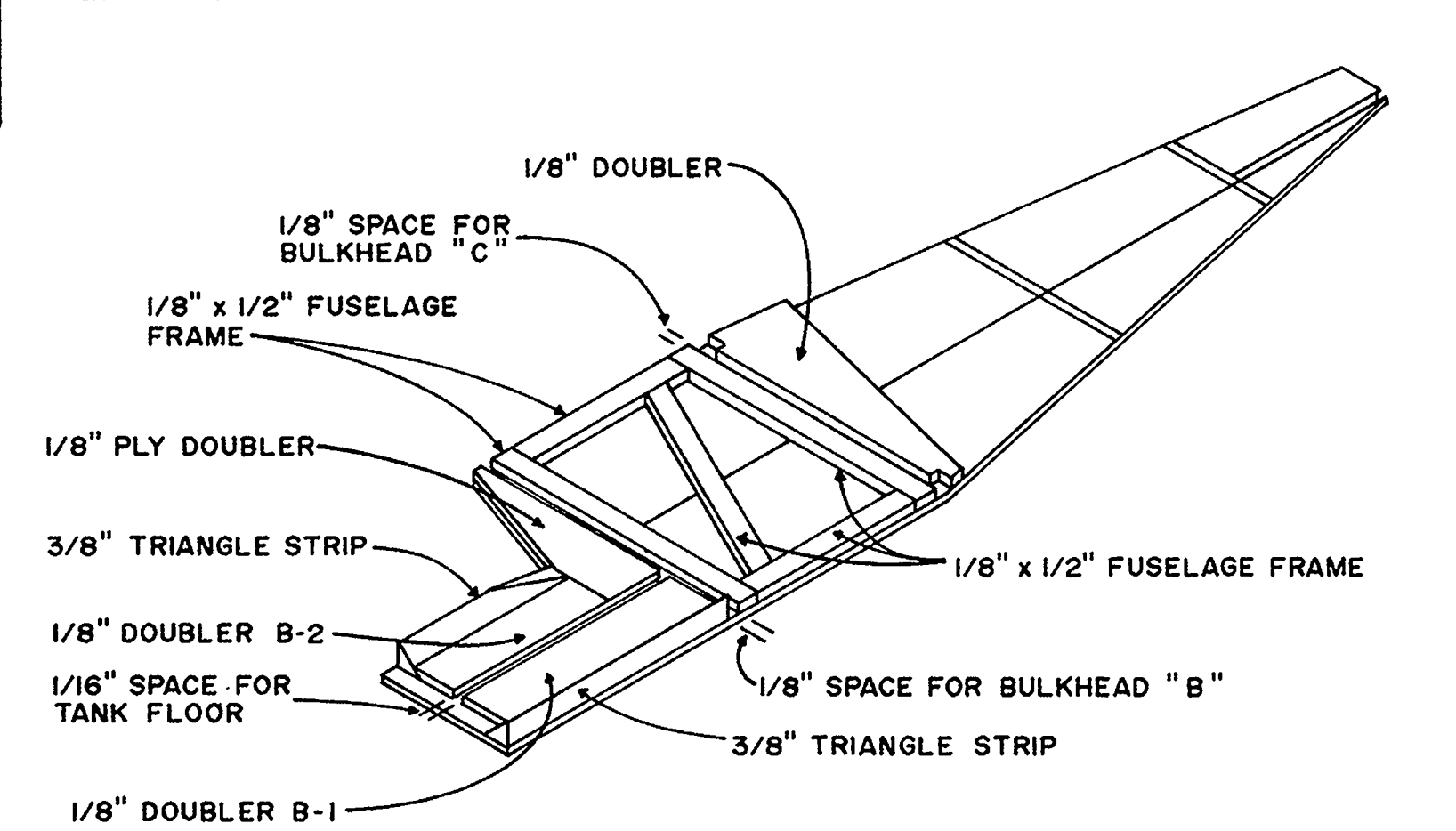
DRAWING "I"



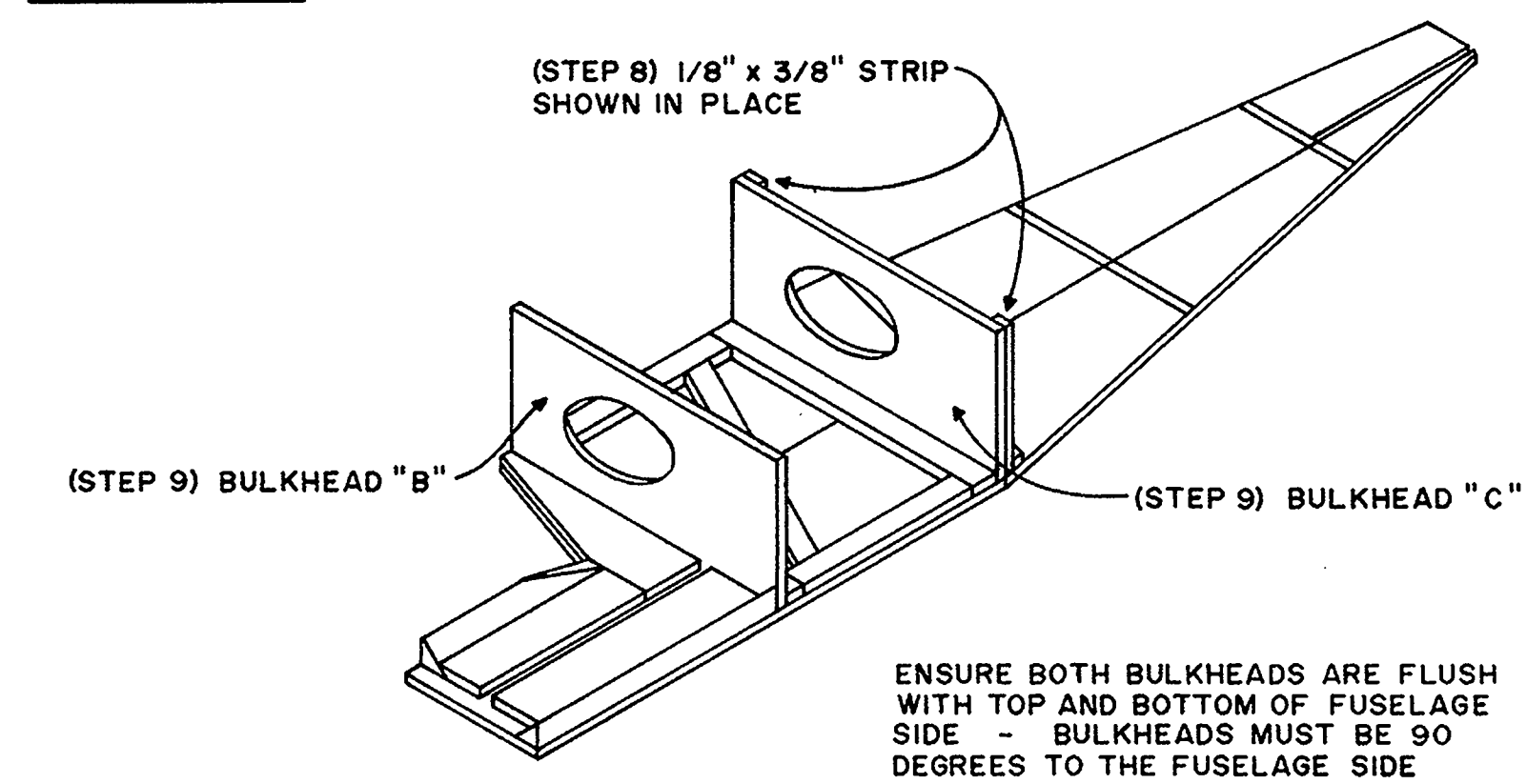
DRAWING "J"



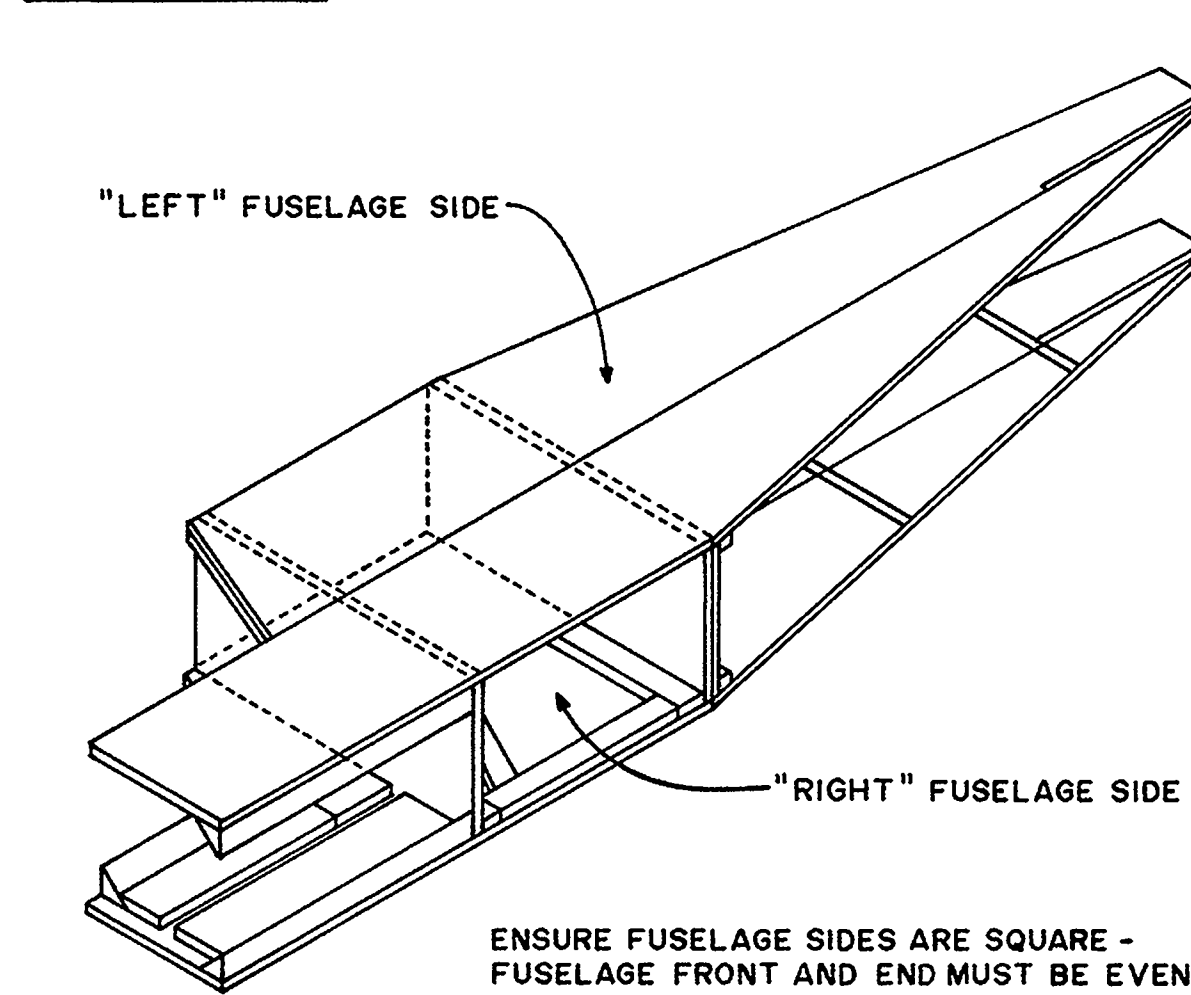
DRAWING "K"



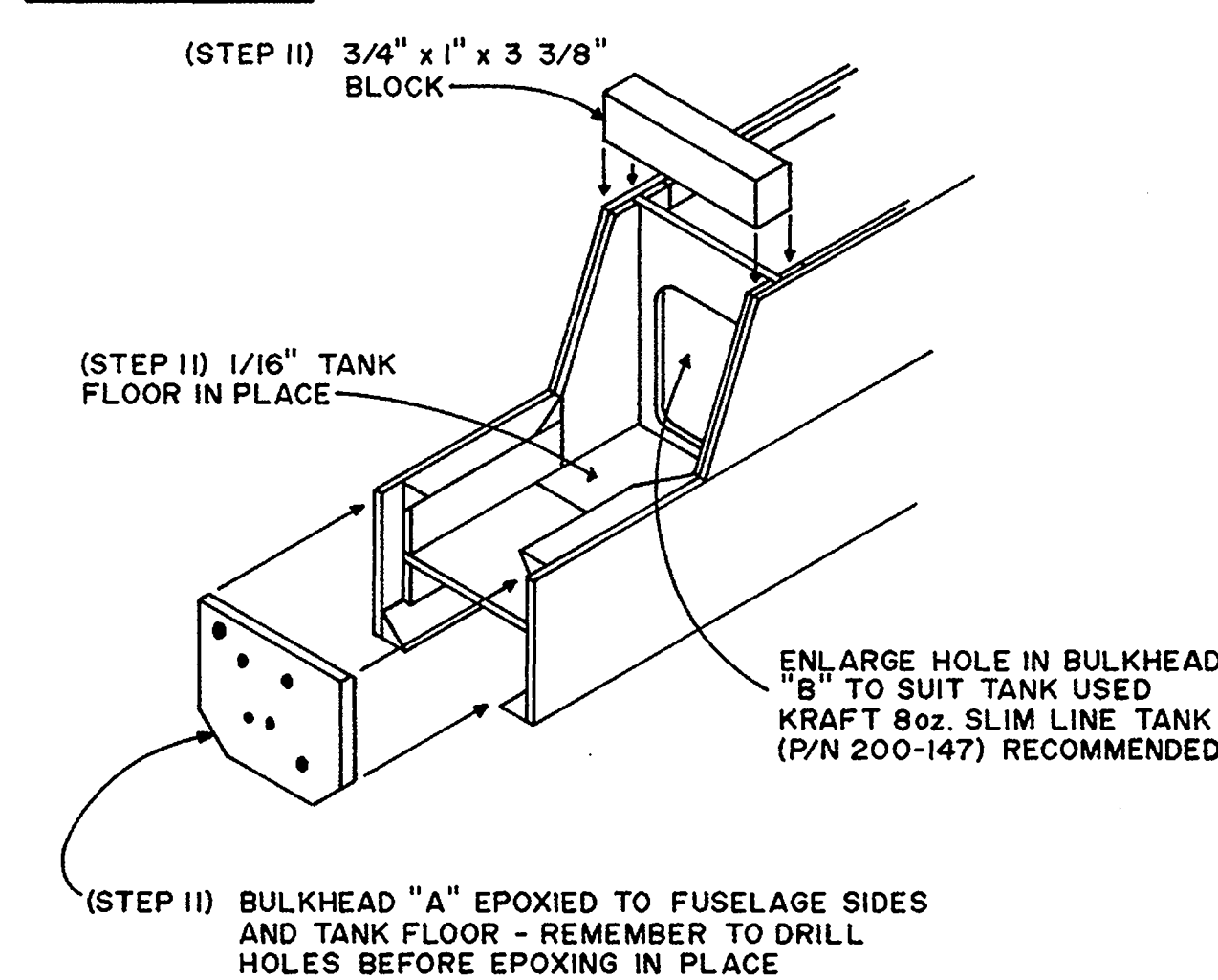
DRAWING "L"



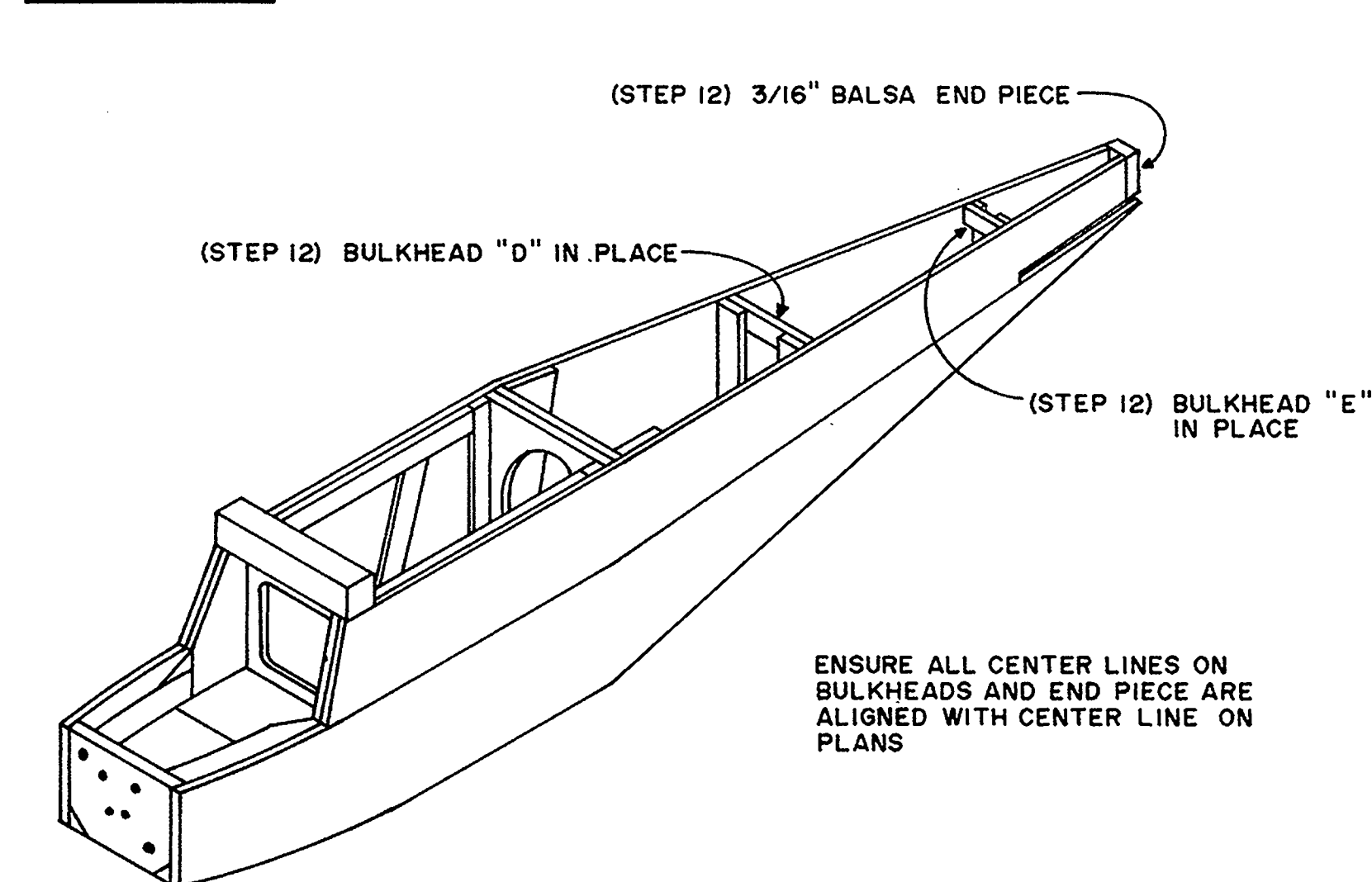
DRAWING "M"



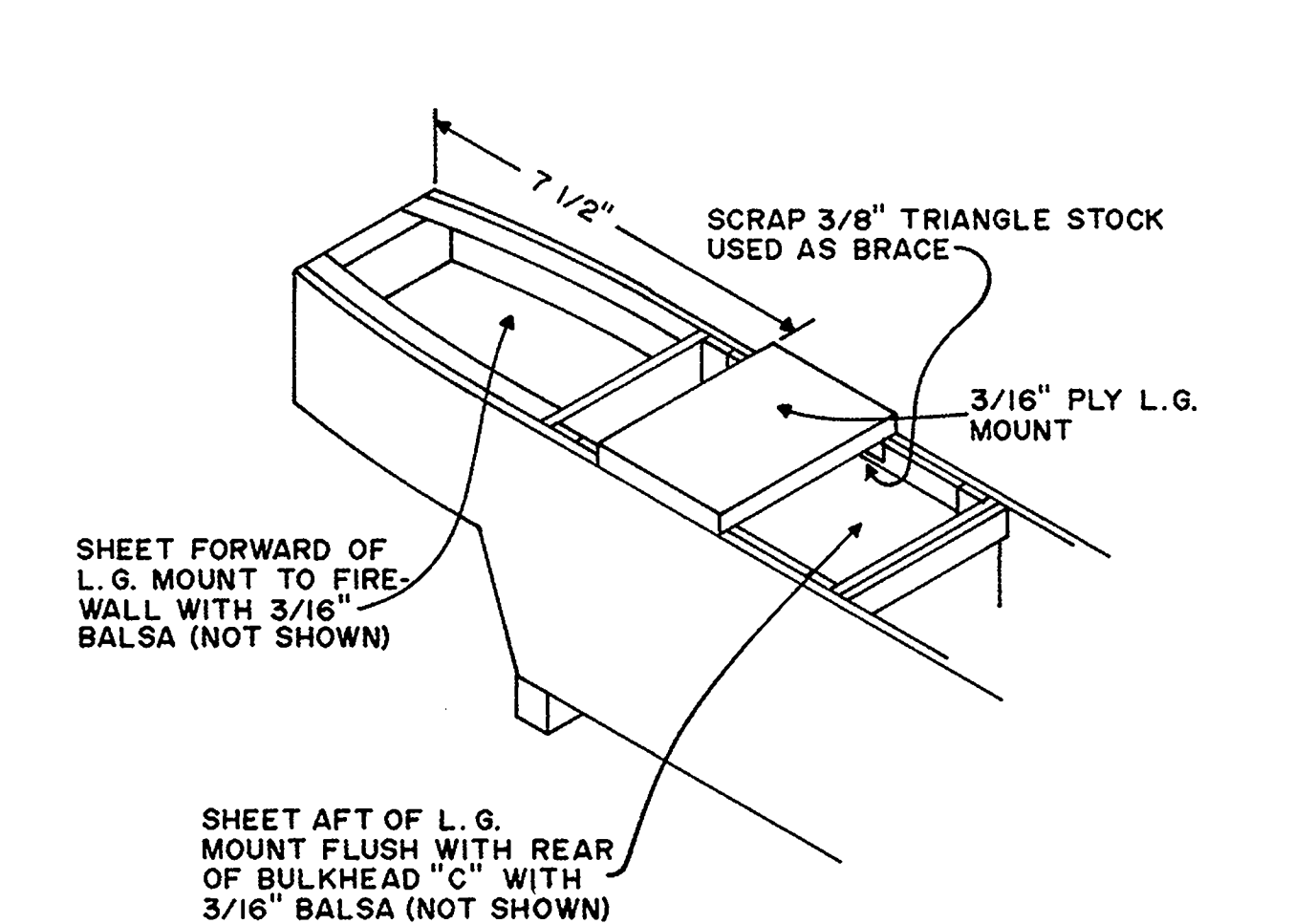
DRAWING "N"



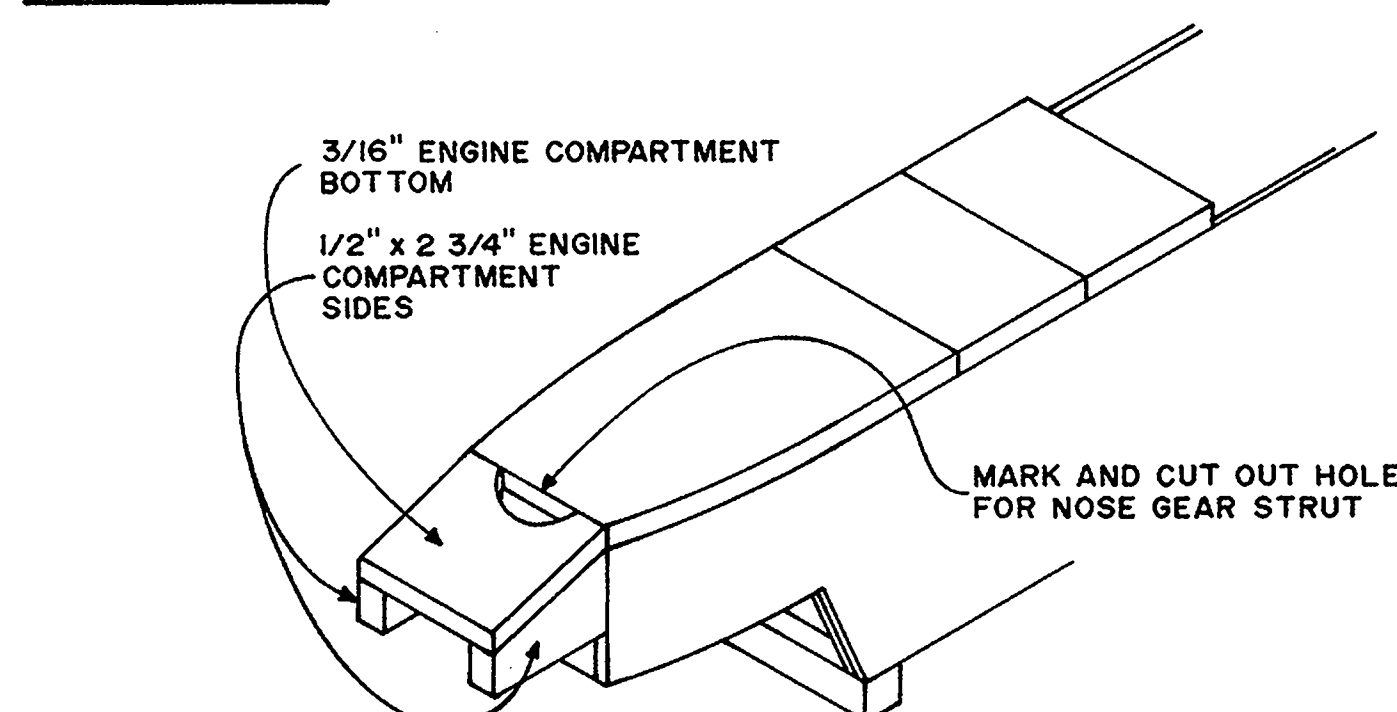
DRAWING "O"



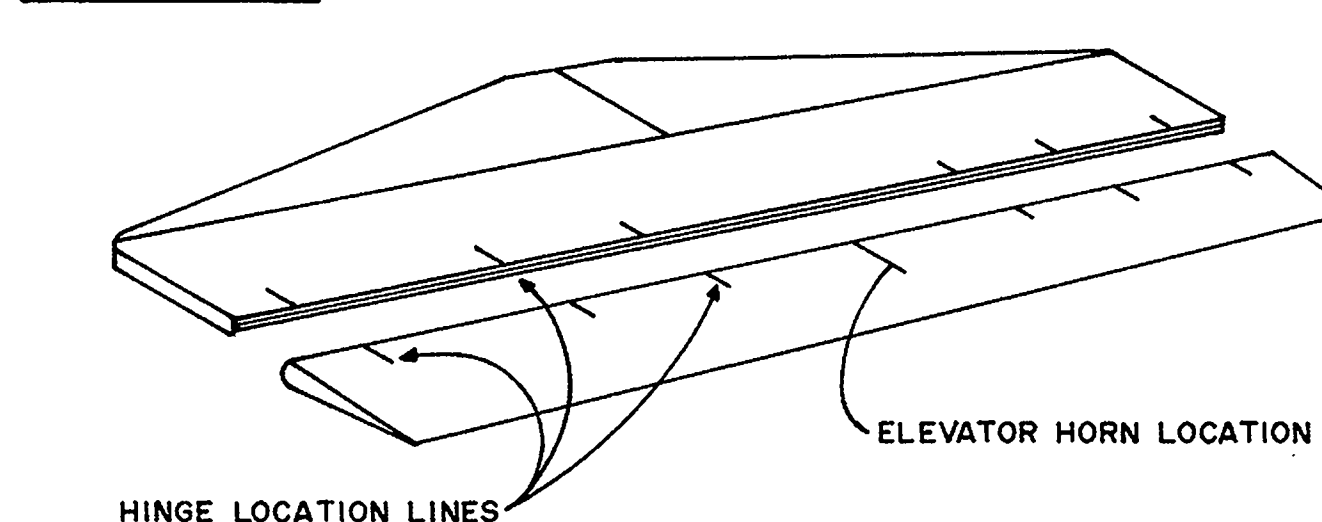
DRAWING "P"



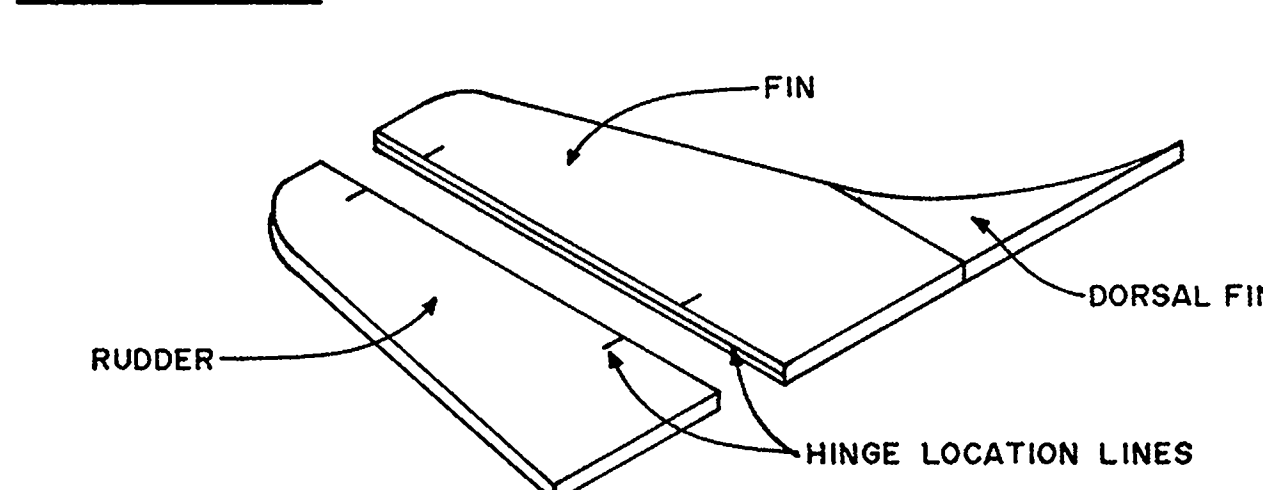
DRAWING "Q"



DRAWING "R"



DRAWING "S"



BEGIN AIR TRAINER

DESIGNED BY: BUZZ WALTZ	SCALE: N/A
INKED BY: MONTY LAWLER	DATE: 2-8-82
JUST PLANE FUN MODELS BUZZ WALTZ R/C DESIGNS	REVISED: 12-14-82
DETAILED DRAWINGS	DRAWN BY:
	DRAWING NUMBER DD-1