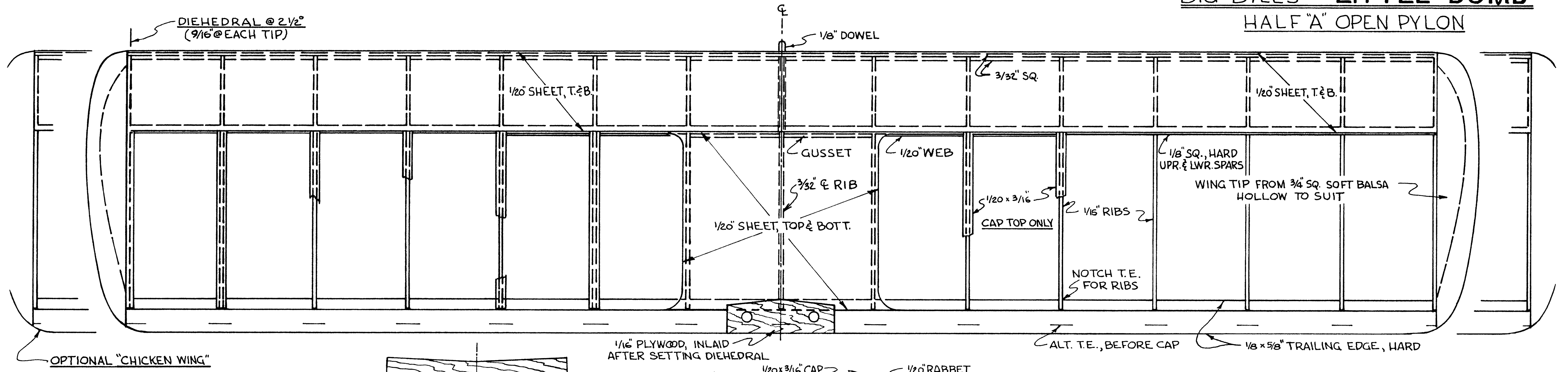
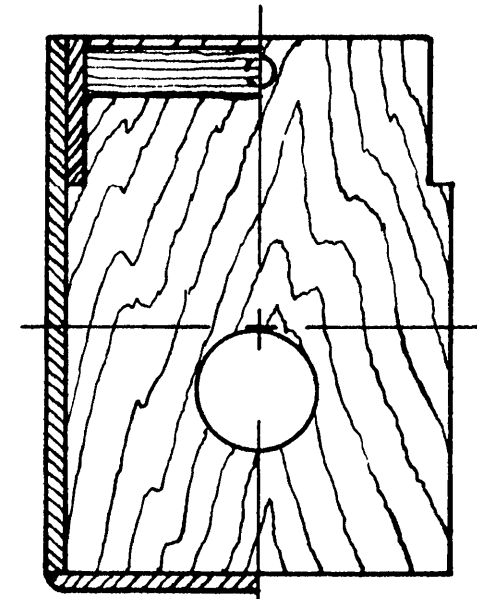


# BIG BILLS "LITTLE BOMB"

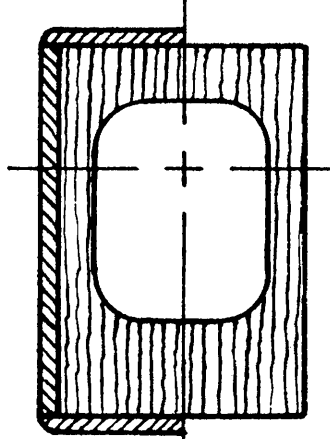
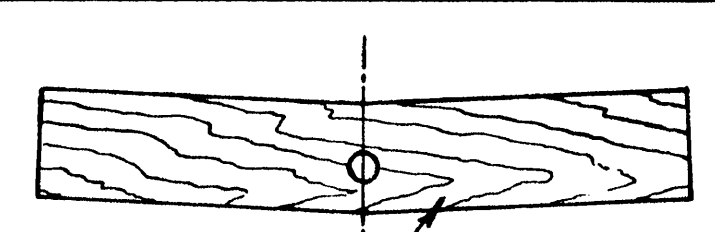
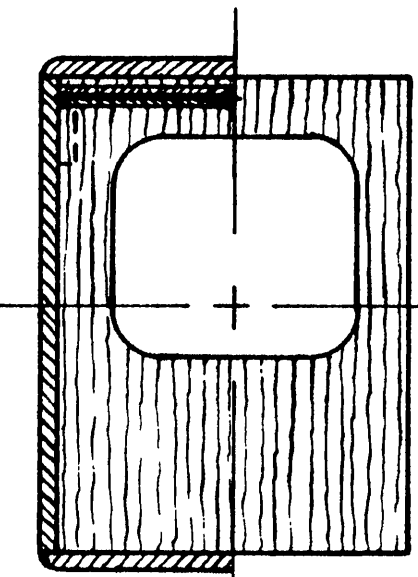
## HALF "A" OPEN PYLON



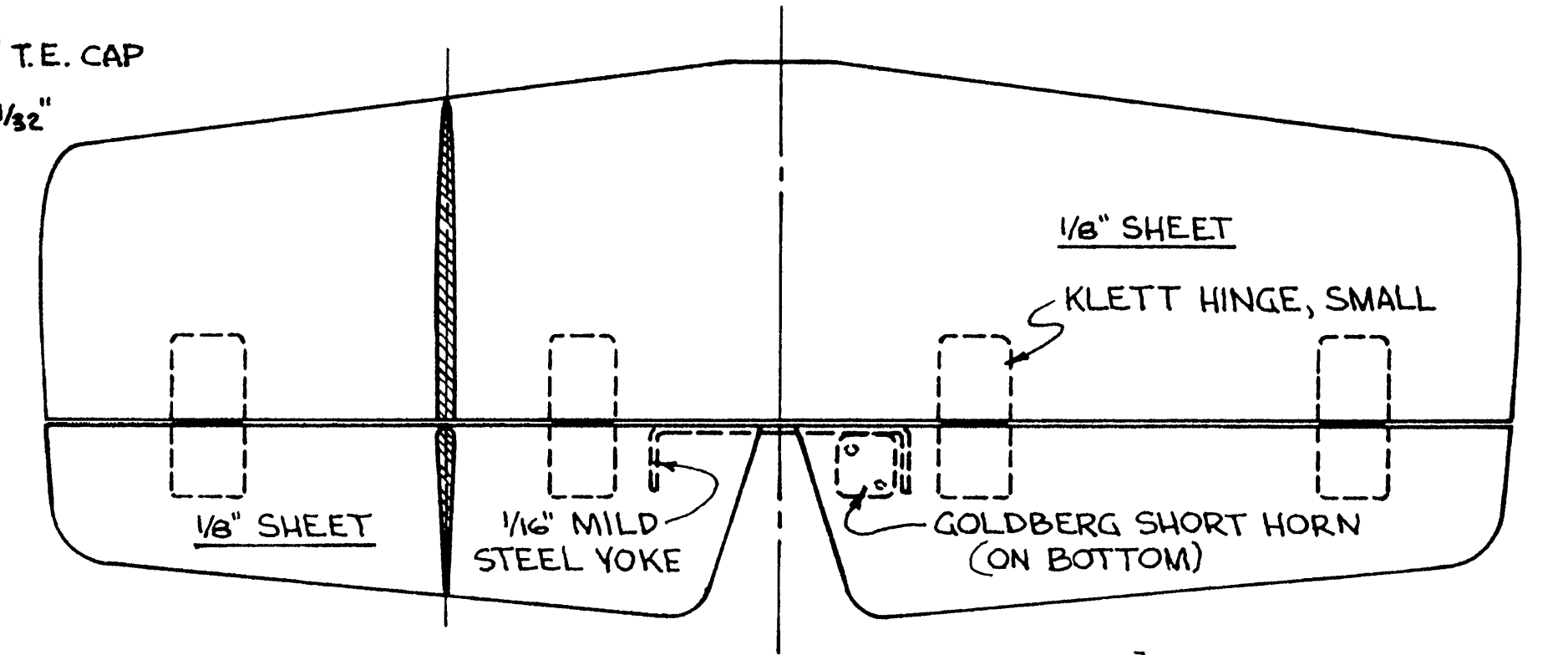
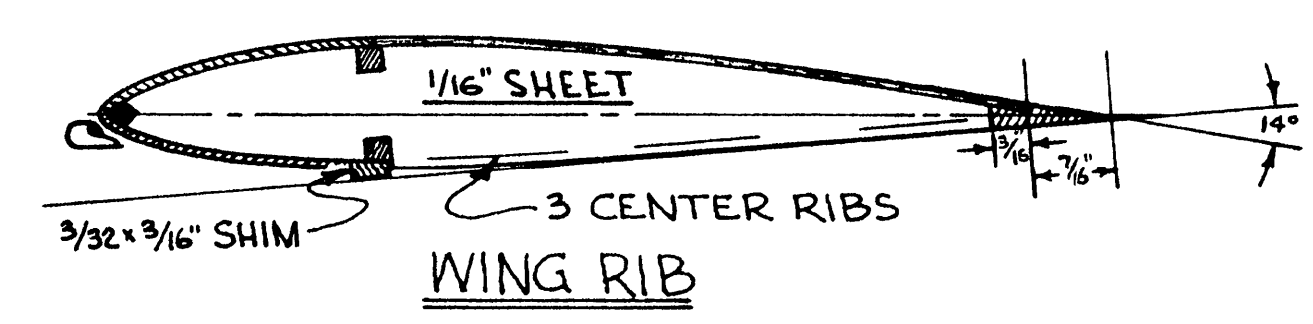
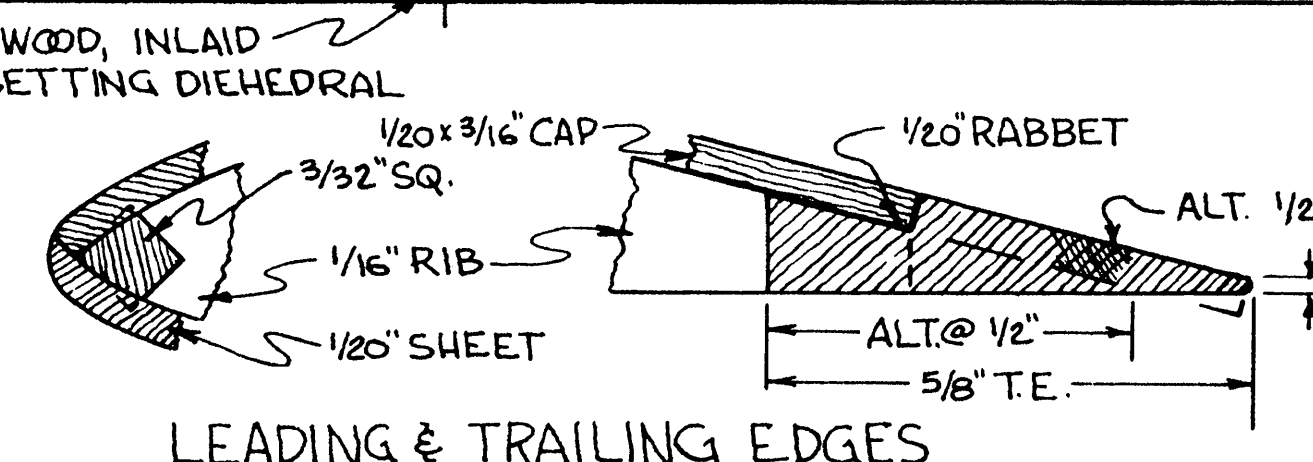
OPTIONAL "CHICKEN WING"



REF.

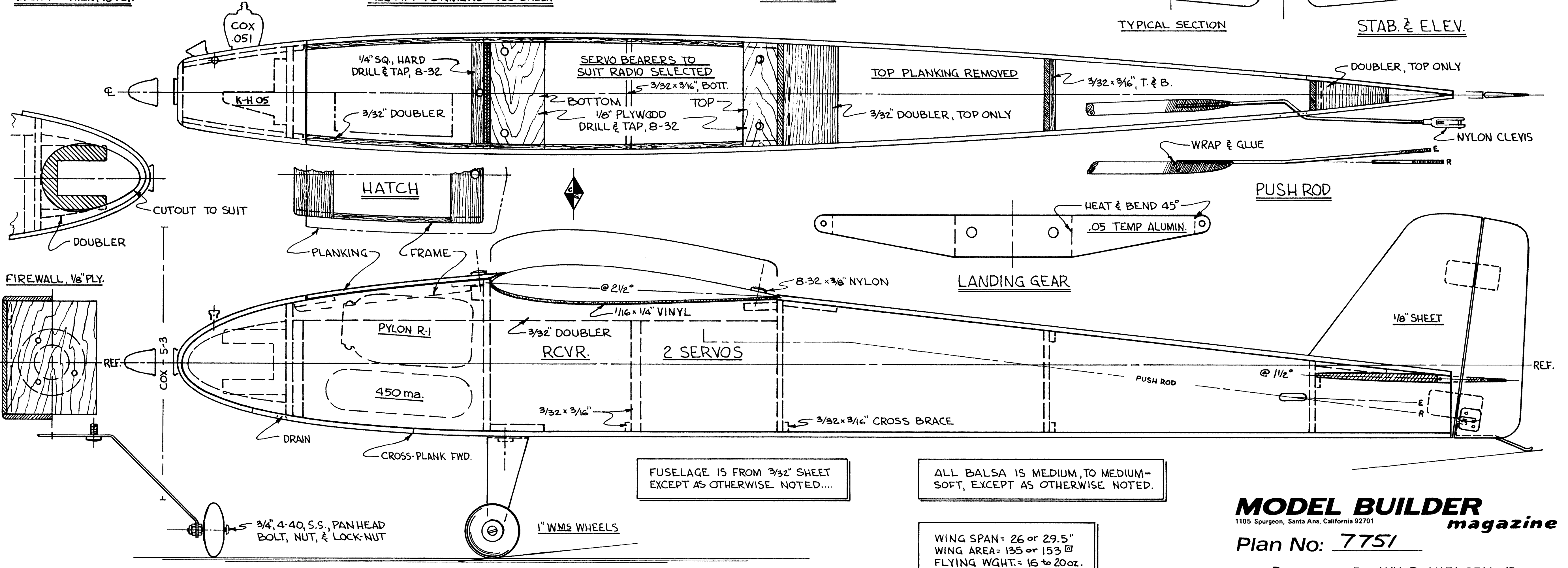


ALL AFT FORMERS 3/32" BALSAL



TYPICAL SECTION

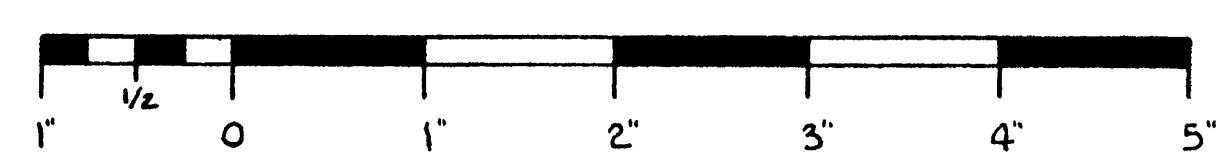
STAB & ELEV.



FUSELAGE IS FROM 3/32" SHEET EXCEPT AS OTHERWISE NOTED....

ALL BALSAL IS MEDIUM, TO MEDIUM-SOFT, EXCEPT AS OTHERWISE NOTED.

WING SPAN = 26 or 29.5"  
WING AREA = 135 or 153 sq.  
FLYING WGT. = 16 to 20oz.



By H.E

**MODEL BUILDER** magazine  
1105 Spurgeon, Santa Ana, California 92701

Plan No: 7751

DESIGNED BY WM R. NIELSEN JR.  
P.O. BOX 1081, SO. MIAMI, FLORIDA 33143