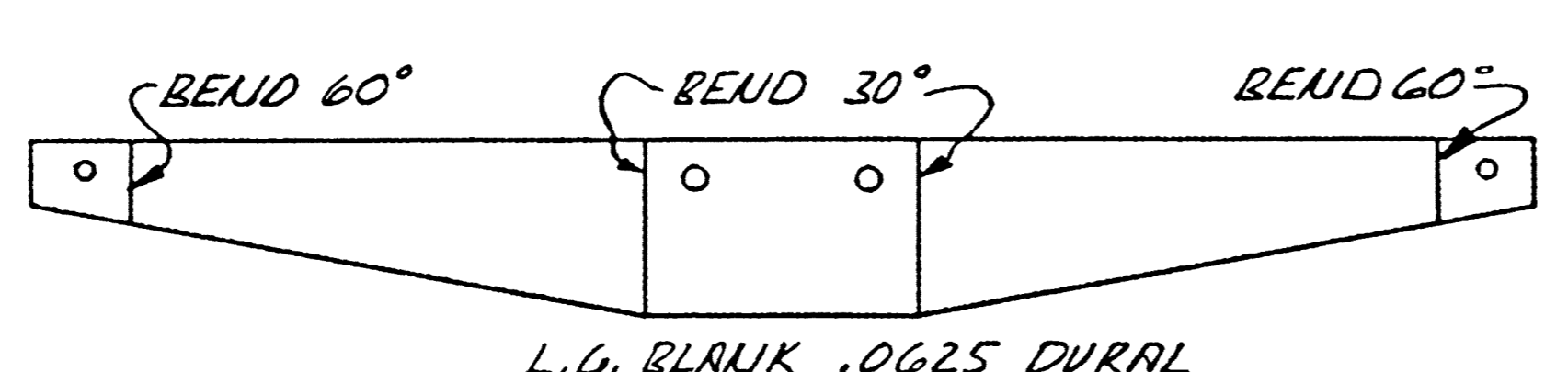
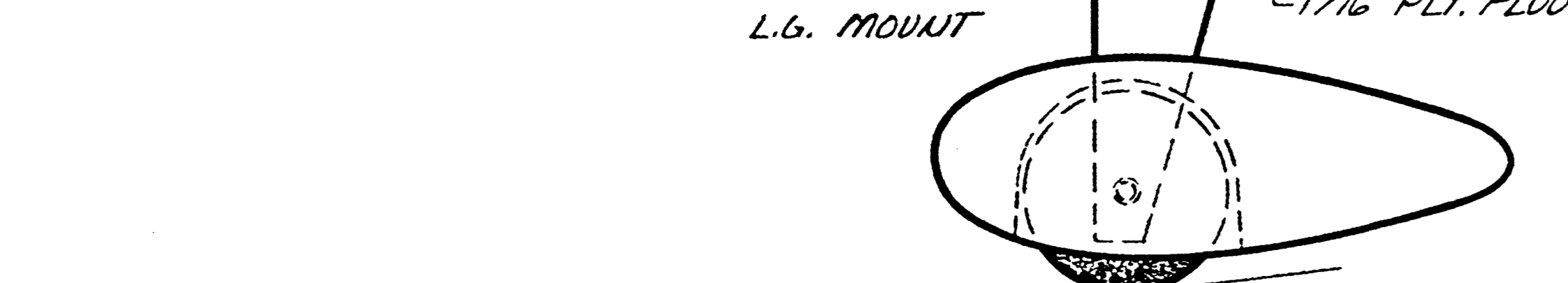
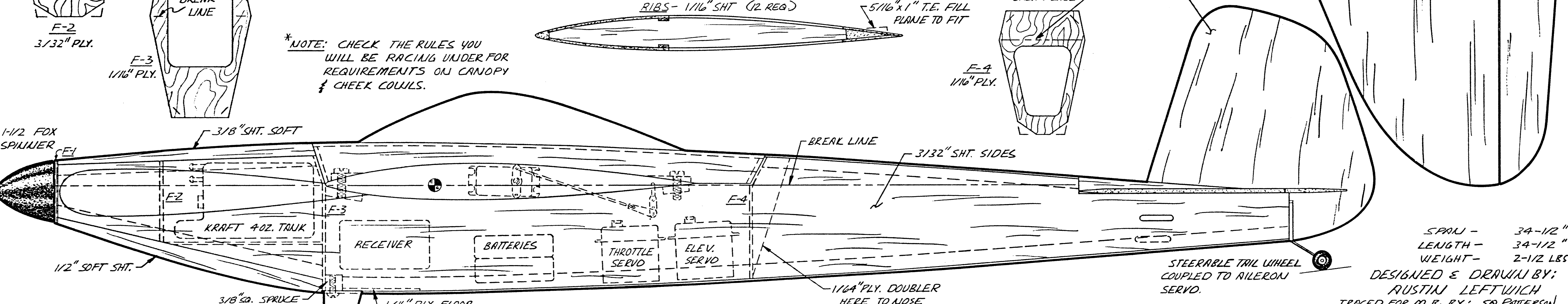


*NOTE: CHECK THE RULES YOU WILL BE RACING UNDER FOR REQUIREMENTS ON CANOPY & CHECK COWLS.



SPAN - 34-1/2"
 LENGTH - 34-1/2"
 WEIGHT - 2-1/2 LBS.
 DESIGNED & DRAWN BY:
 AUSTIN LEFTWICH
 TRACED FOR M.B. BY: SA. PATERSON

LIL GEM II

A QUARTER MIDGET RACER

MODEL BUILDER magazine
 621 W. NINETEENTH ST.
 COSTA MESA, CA. 92627
 Plan No: 11771