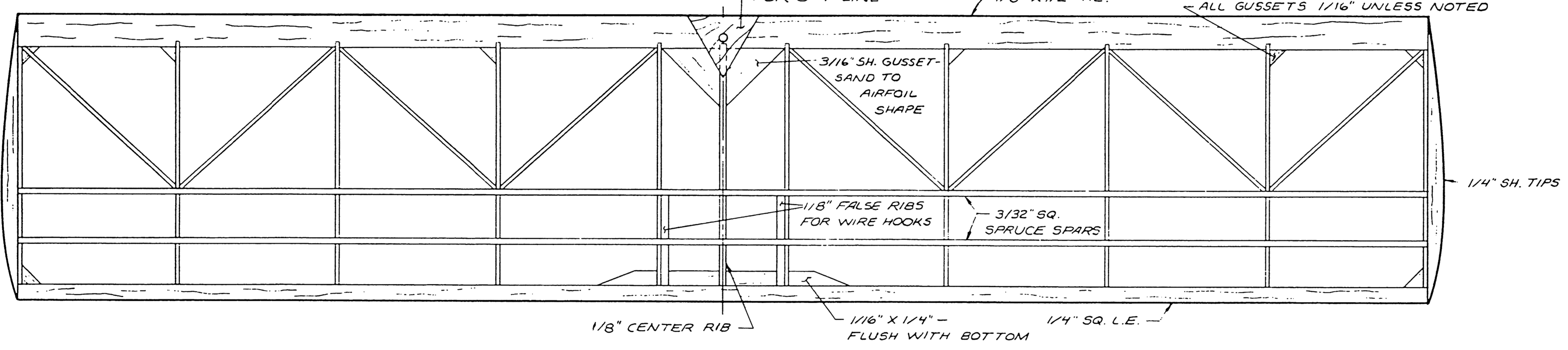
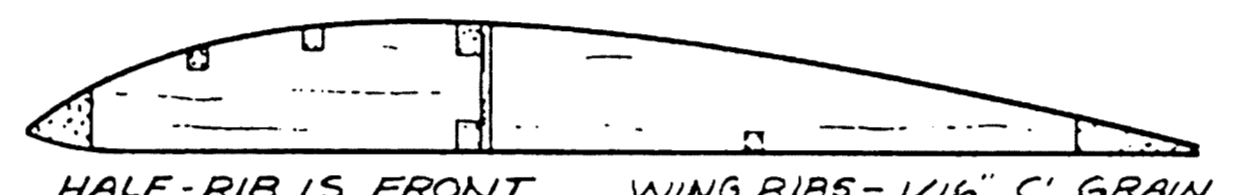
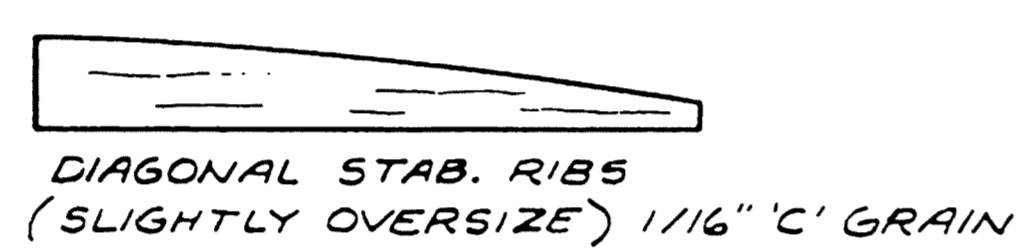
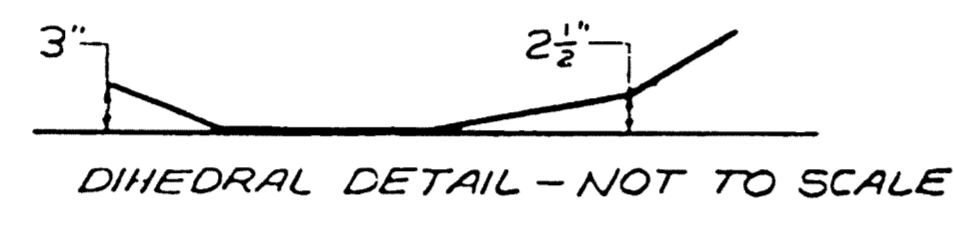
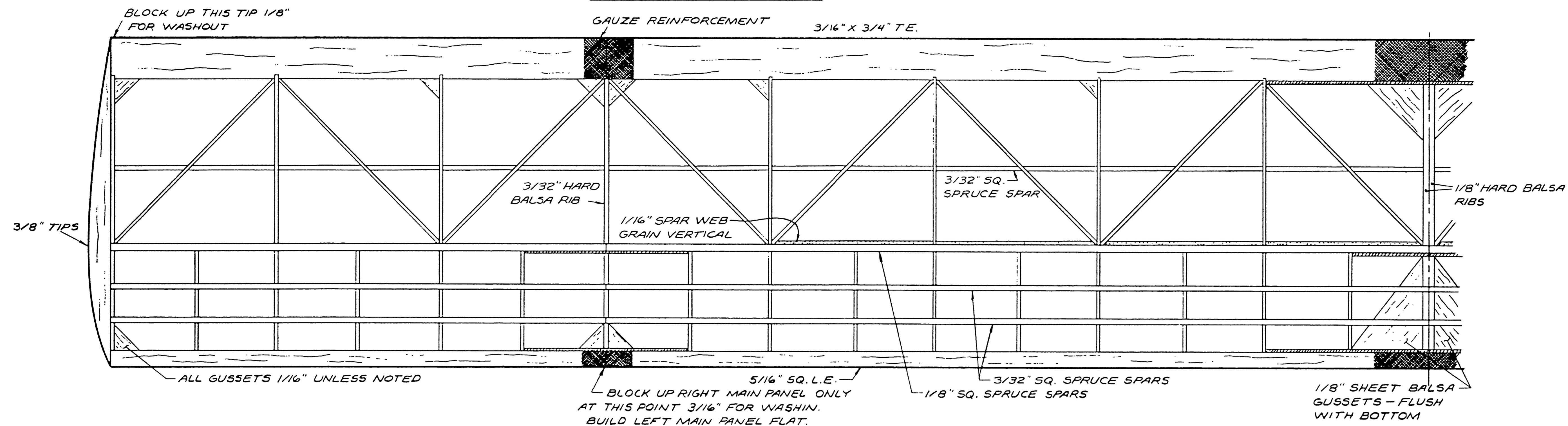


RIGHT WING PANEL

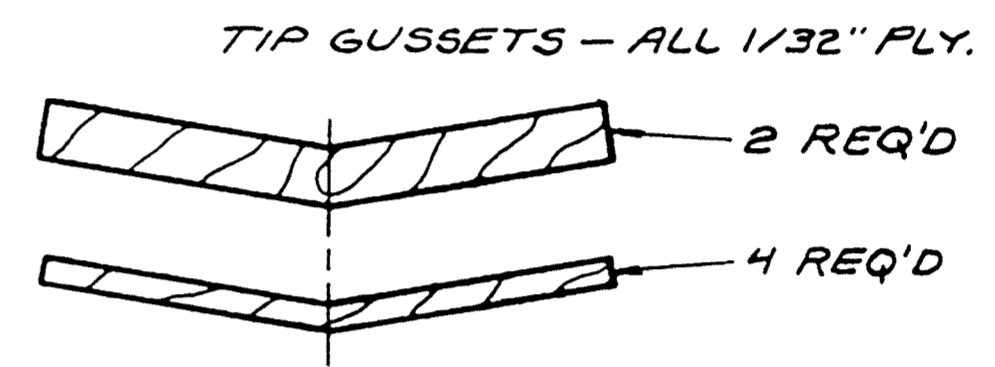


FAIMAN 7

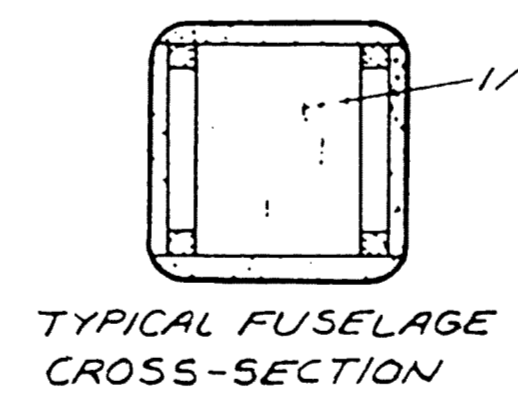
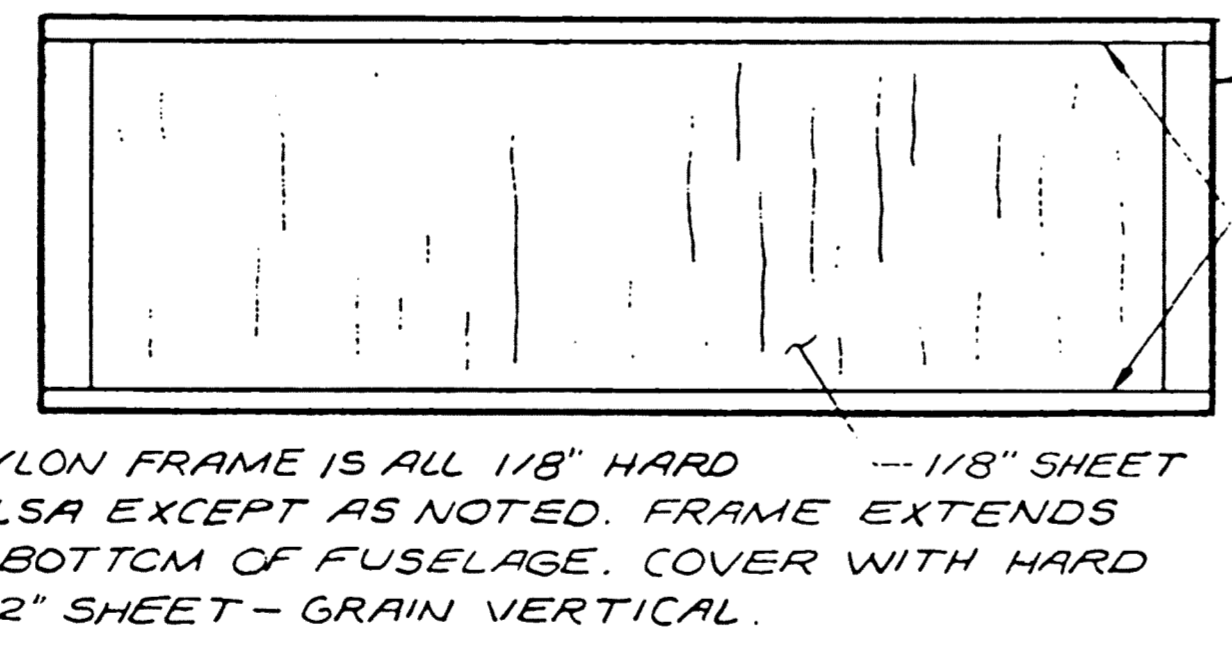
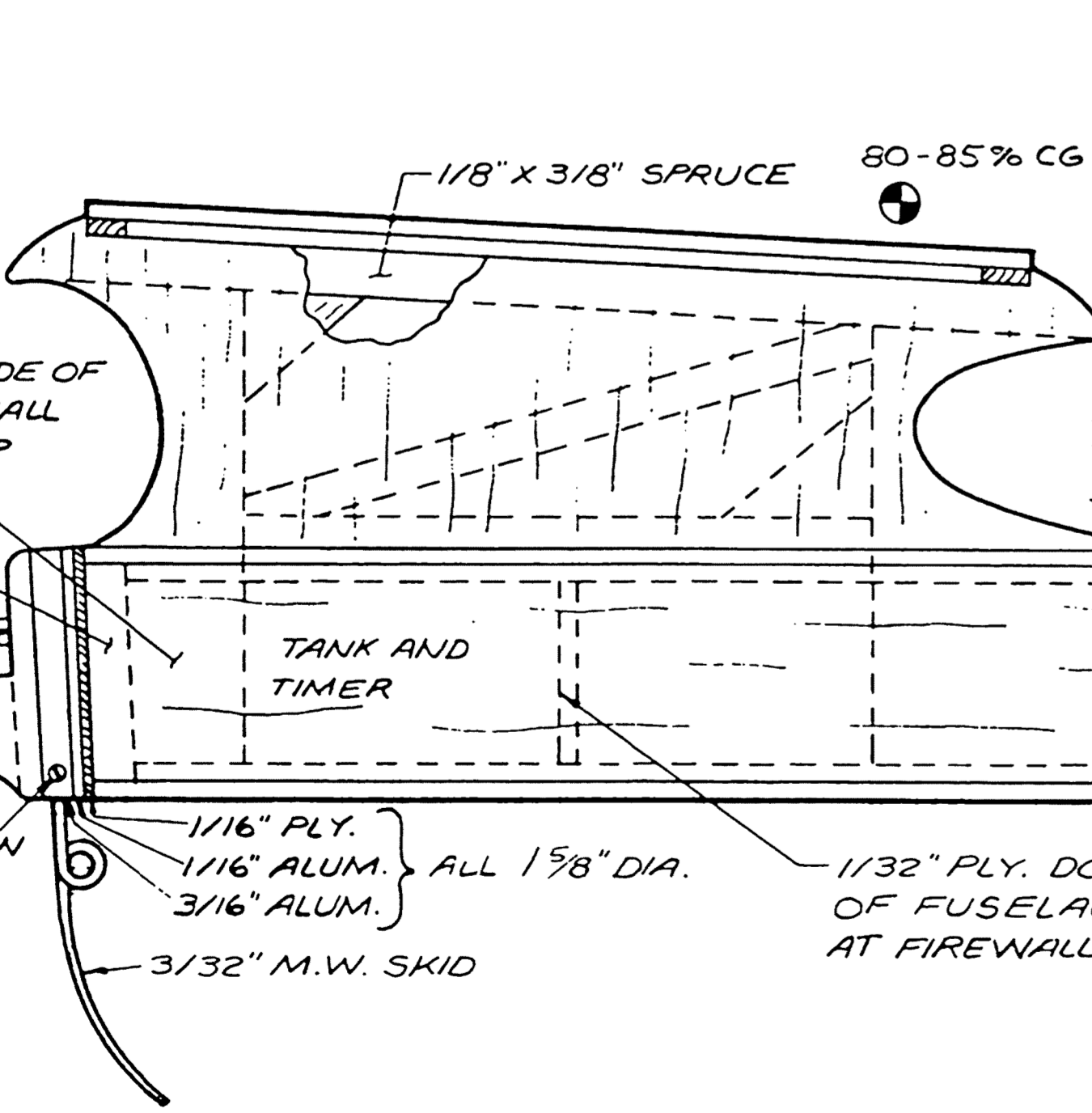
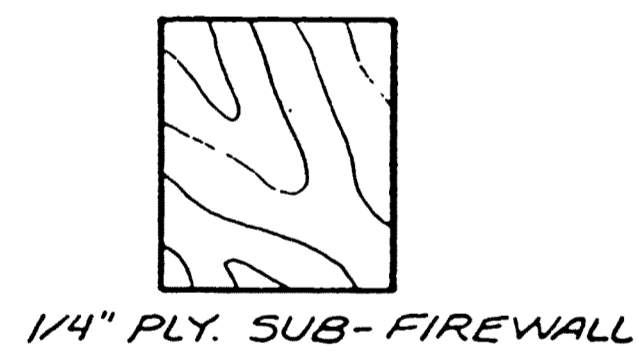
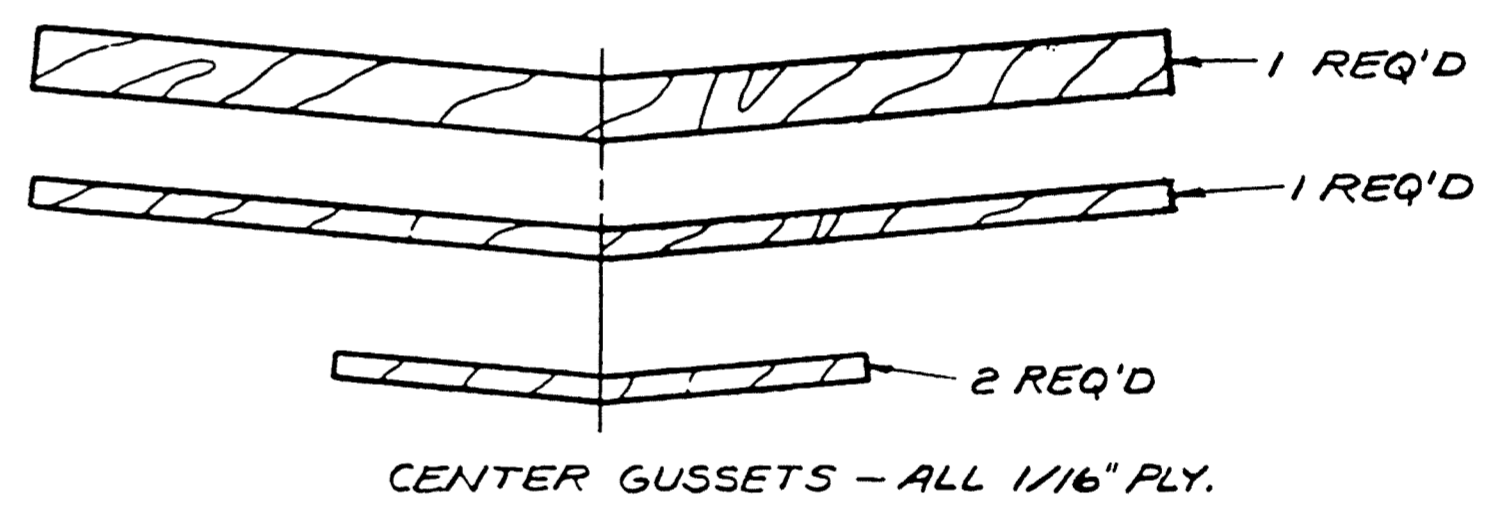
.09 FAI POWER MODEL
SEVENTH IN A DEVELOPMENTAL SERIES OF POWER MODELS
DESIGNED & DRAWN BY: BOB STALICK
BUILT & FLOWN BY: TED STALICK
TRACED BY: PHIL BERNHARDT
- SPECIFICATIONS -
PROJECTED WING AREA - 279.0 sq in
PROJECTED STAB AREA - 101.9 sq in
TOTAL - 380.9 sq in
REQ'D WEIGHT - 17.3 OZ.
MODEL FLIES RIGHT / RIGHT PATTERN

0 1 2 3 4 5 6 inches

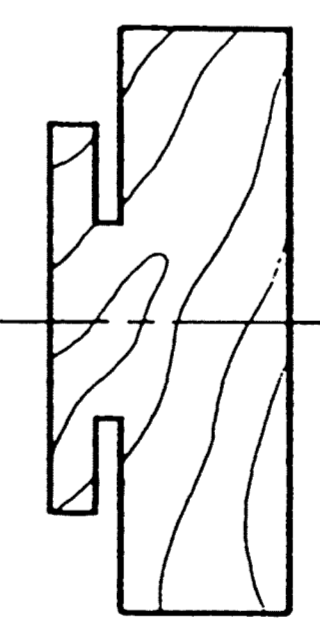
MODEL BUILDER magazine
12563 Del Rey Drive, Santa Ana, California 92705
Plan No: 9732



PLYWOOD DIHEDRAL GUSSETS



FUSELAGE SIDES AND TOP ARE 3/32" SHEET - MEDIUM 'A' GRAIN



USE STAB TILT FOR RIGHT GUIDE

1/8" 'C' GRAIN FIN - SAND TO AIRFOIL SHAPE

