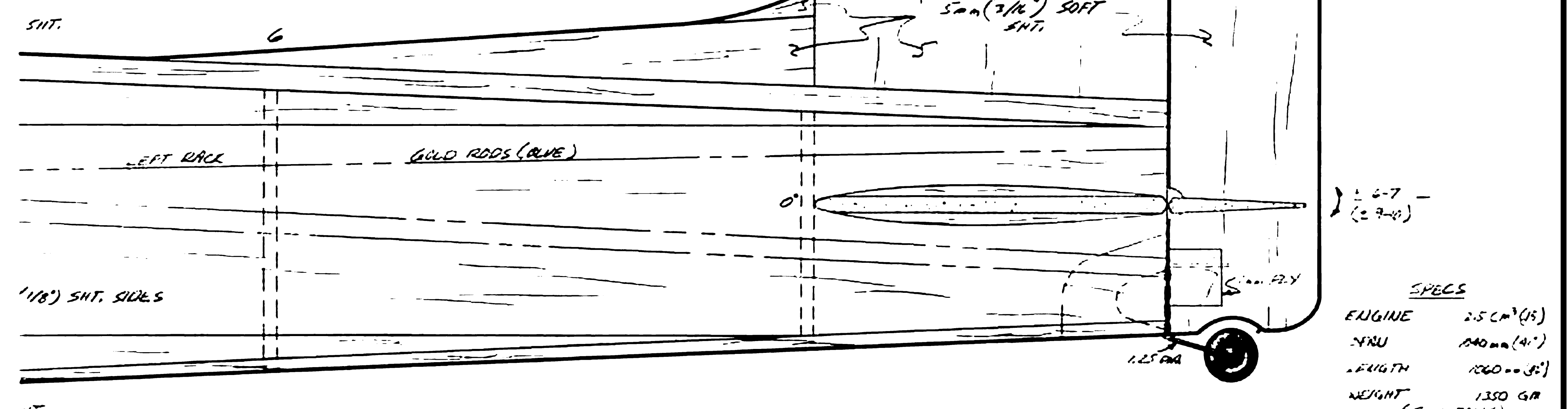
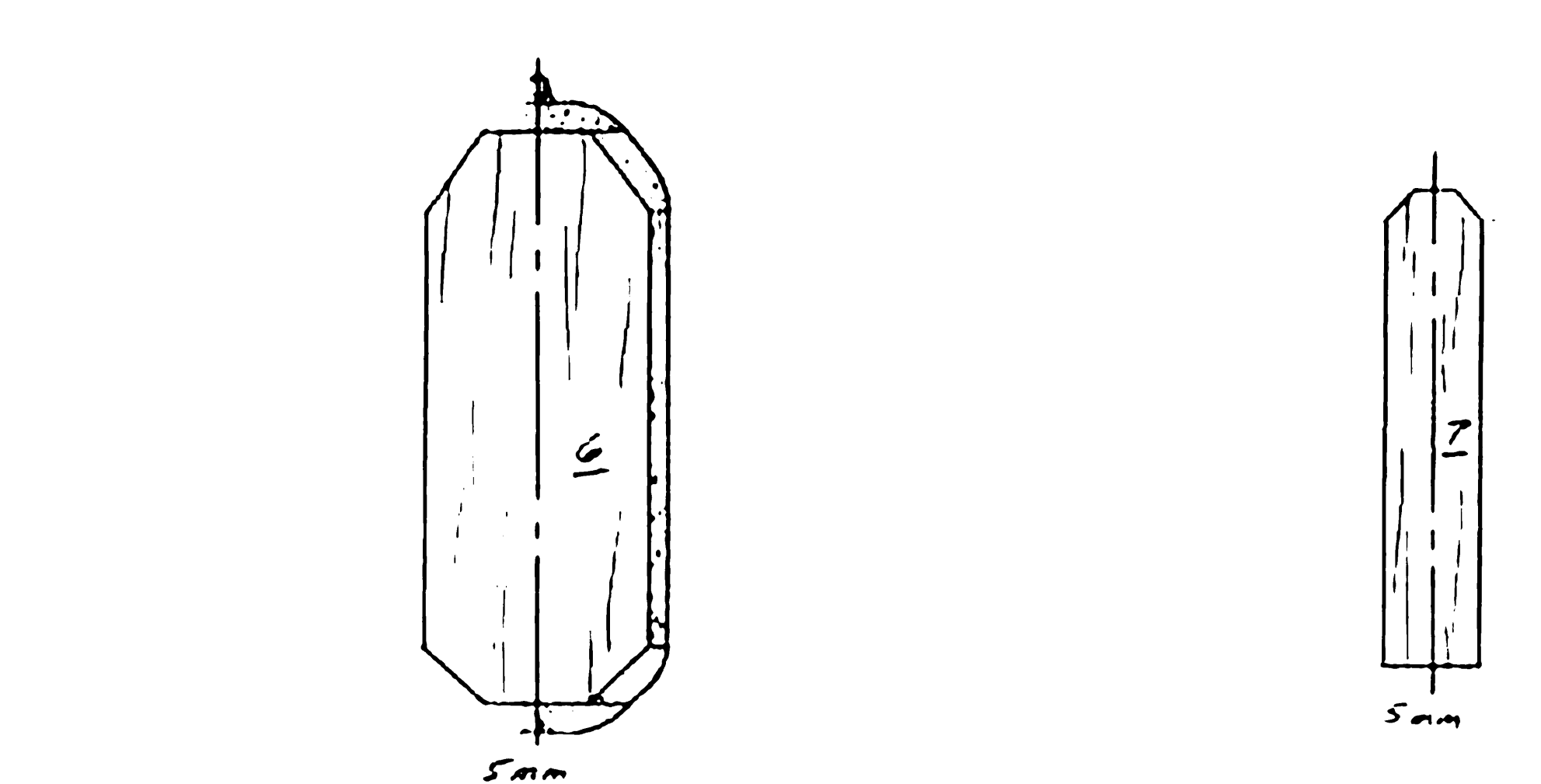
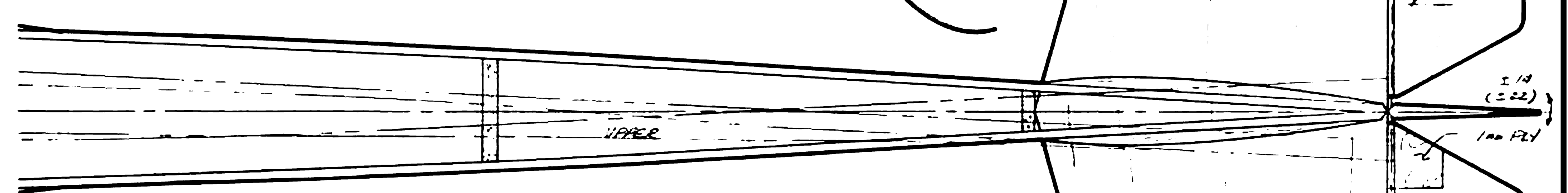
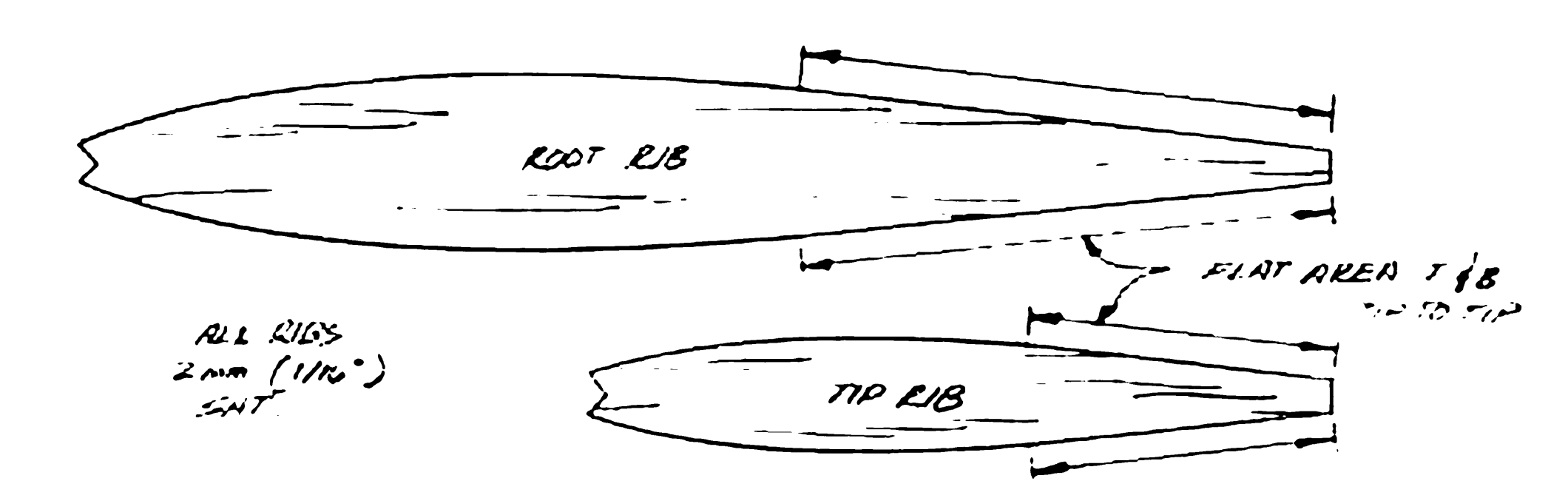


*NOTE: ALL PARTS Balsa UNLESS OTHERWISE NOTED

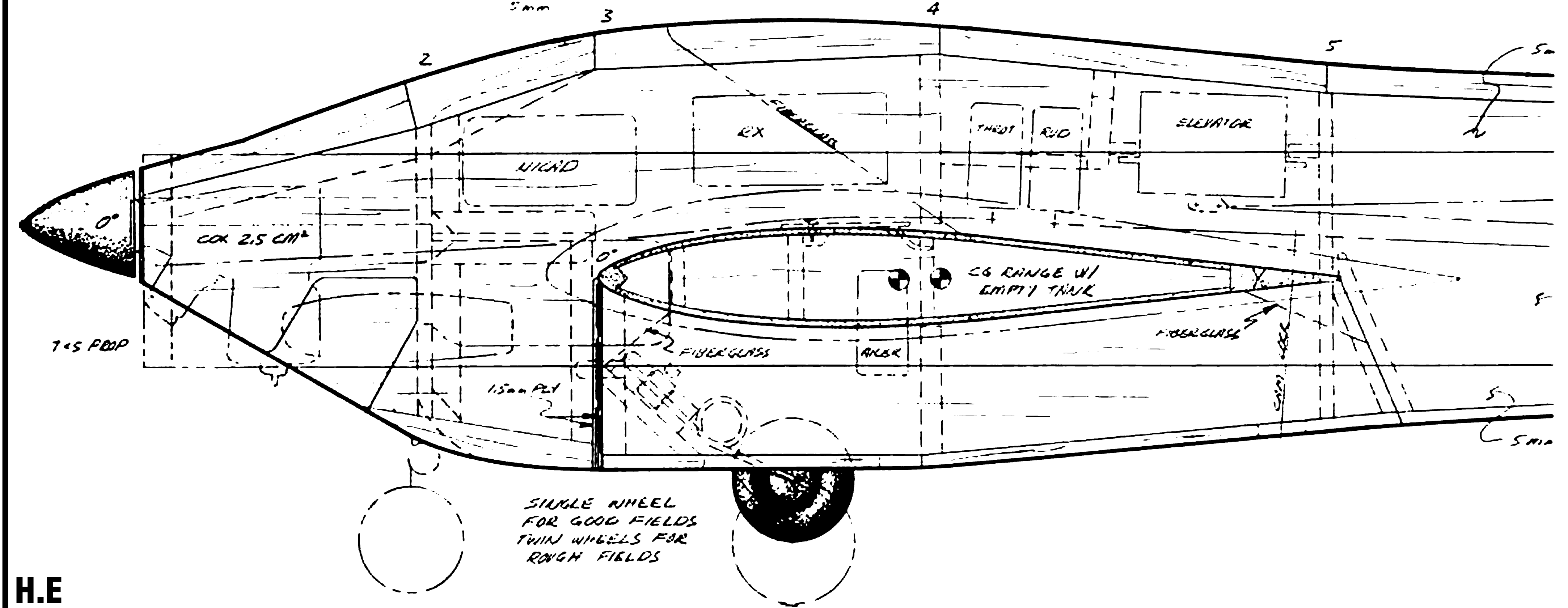
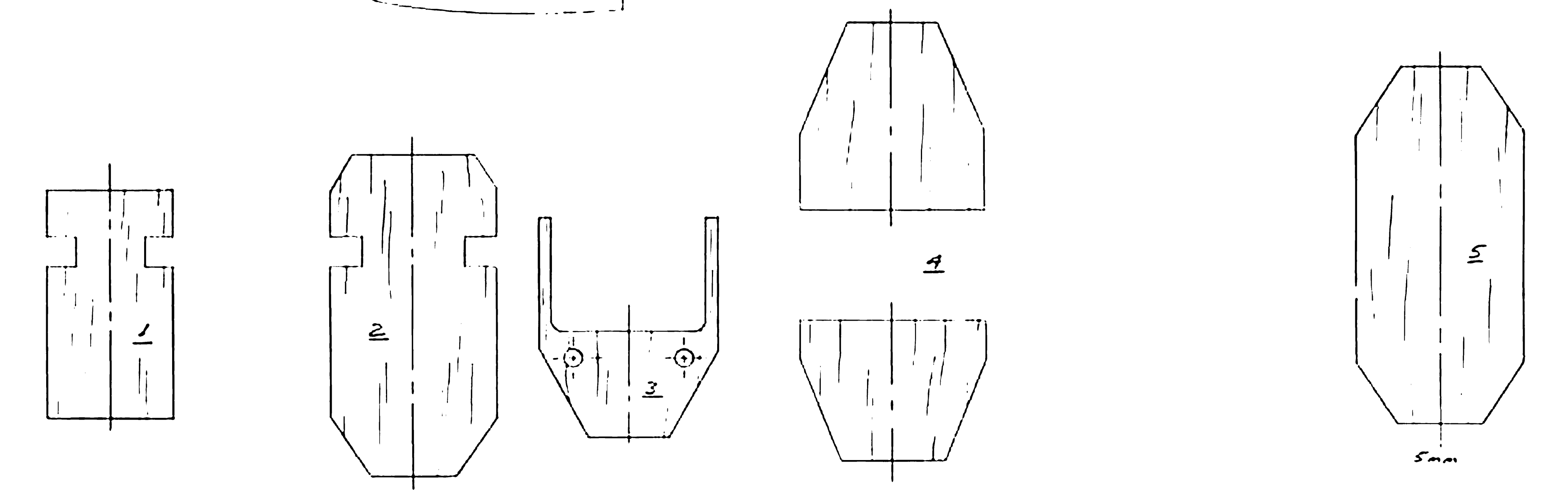
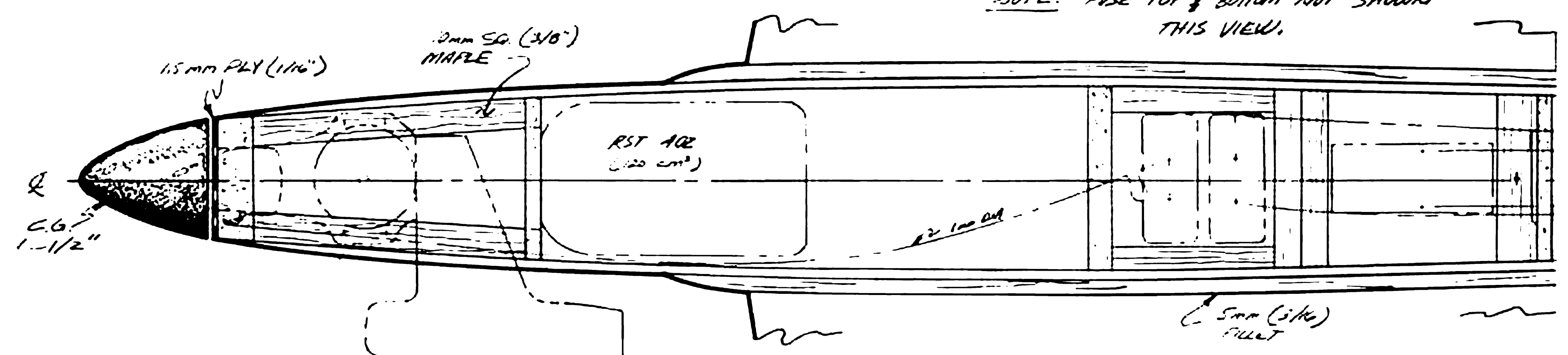


SPECS

ENGINE	2.5 CM ³ (15)
WING	150mm (4")
LENGTH	1000mm (39")
WEIGHT	1350 GR (48.3)
	(Empty Tank)



*NOTE: FACE TOP & BOTTOM NOT SHOWN THIS VIEW.



SINGLE WHEEL FOR GOOD FIELDS
TWIN WHEELS FOR ROUGH FIELDS

DFH 21

"Den Flygande Hyvelbänken 21"

DESIGNED & DRAWN BY
BERNIG LINDSTROM
THANK YOU TO
SA. STRANDBLOM

Scale bar showing 0 to 10 cm. Logo for **MODEL BUILDER magazine** with Plan No: 1791. Address: 671 West 136th St., Chico, Calif. 95927.