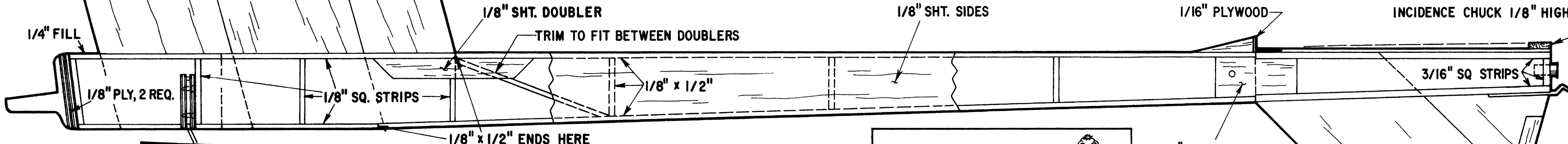
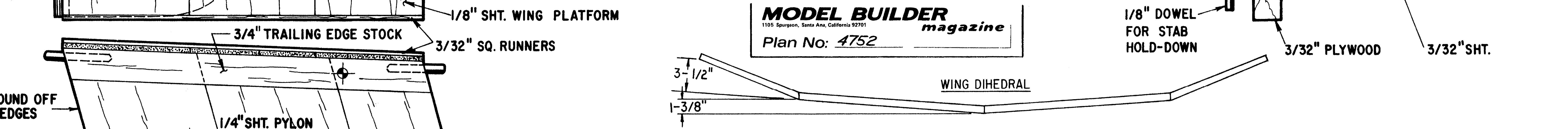
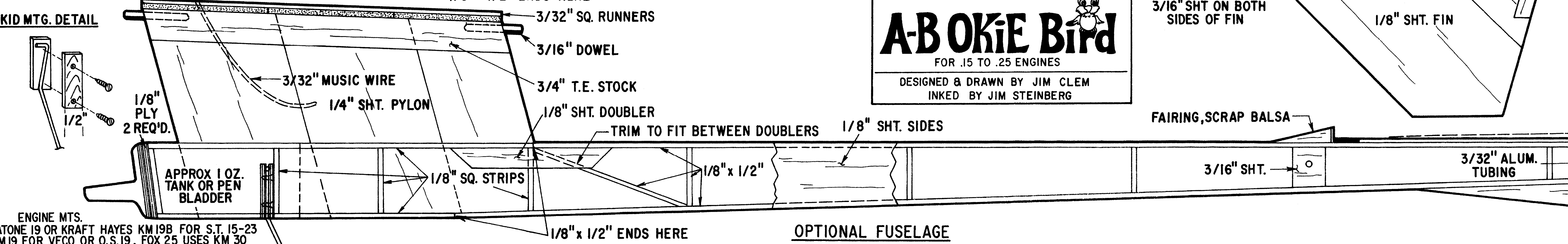


0 1 2 3 4 5 6 inches

**MODEL BUILDER** magazine  
1135 Sausalito, Santa Ana, California 92701  
Plan No: 4752



**A-B OKie Bird**  
FOR .15 TO .25 ENGINES  
DESIGNED & DRAWN BY JIM CLEM  
INKED BY JIM STEINBERG



MODEL BUILDER magazine  
1135 Sausalito, Santa Ana, California 92701  
Plan No: 4752

3/16" ALUM. BUSHING FOR D.T. LIMIT (OPT. FOR SUB RUDDER VERSION)

3/16" x 3/4" TRAILING EDGE STOCK

3/16" SHT. TIP