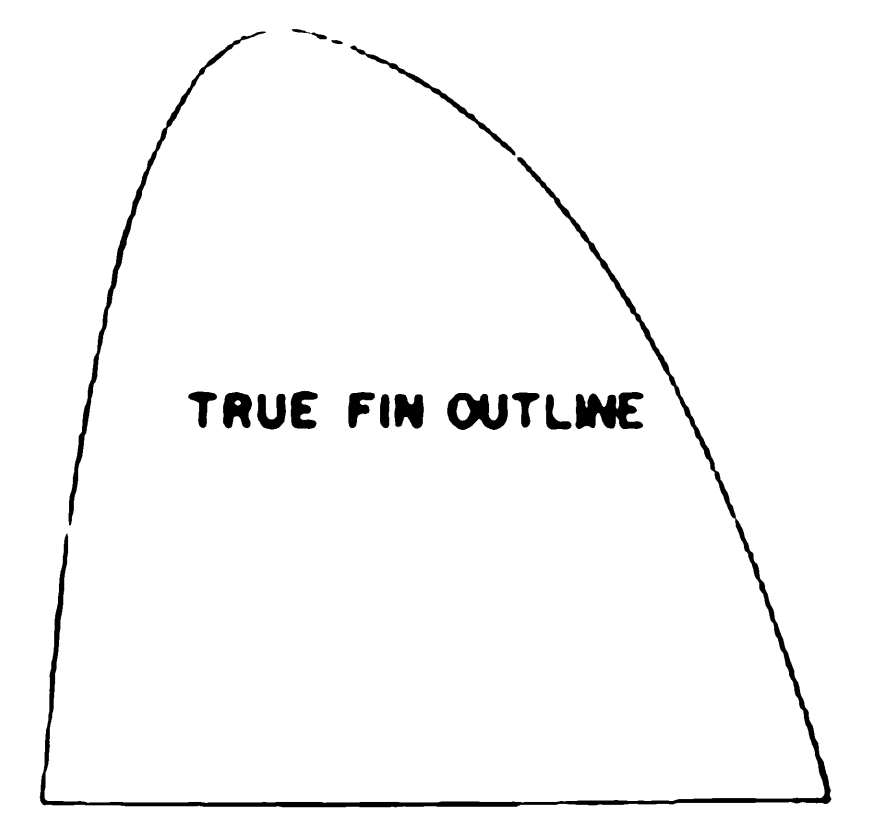
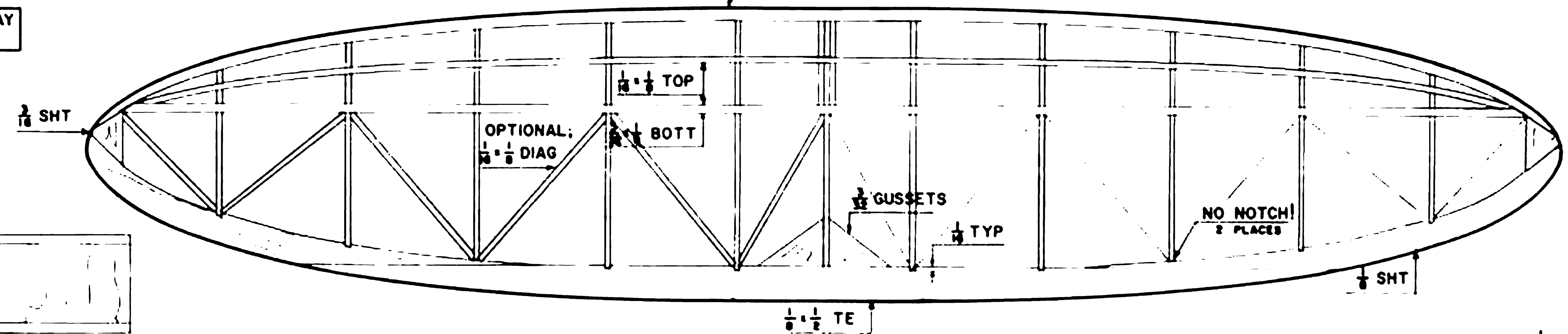


DO NOT CUT TURBULATOR SPAR NOTCH UNTIL RIB IS GLUED IN PLACE

NO DIHEDRAL BRACES IN CENTER REQUIRED IF EPOXY IS USED

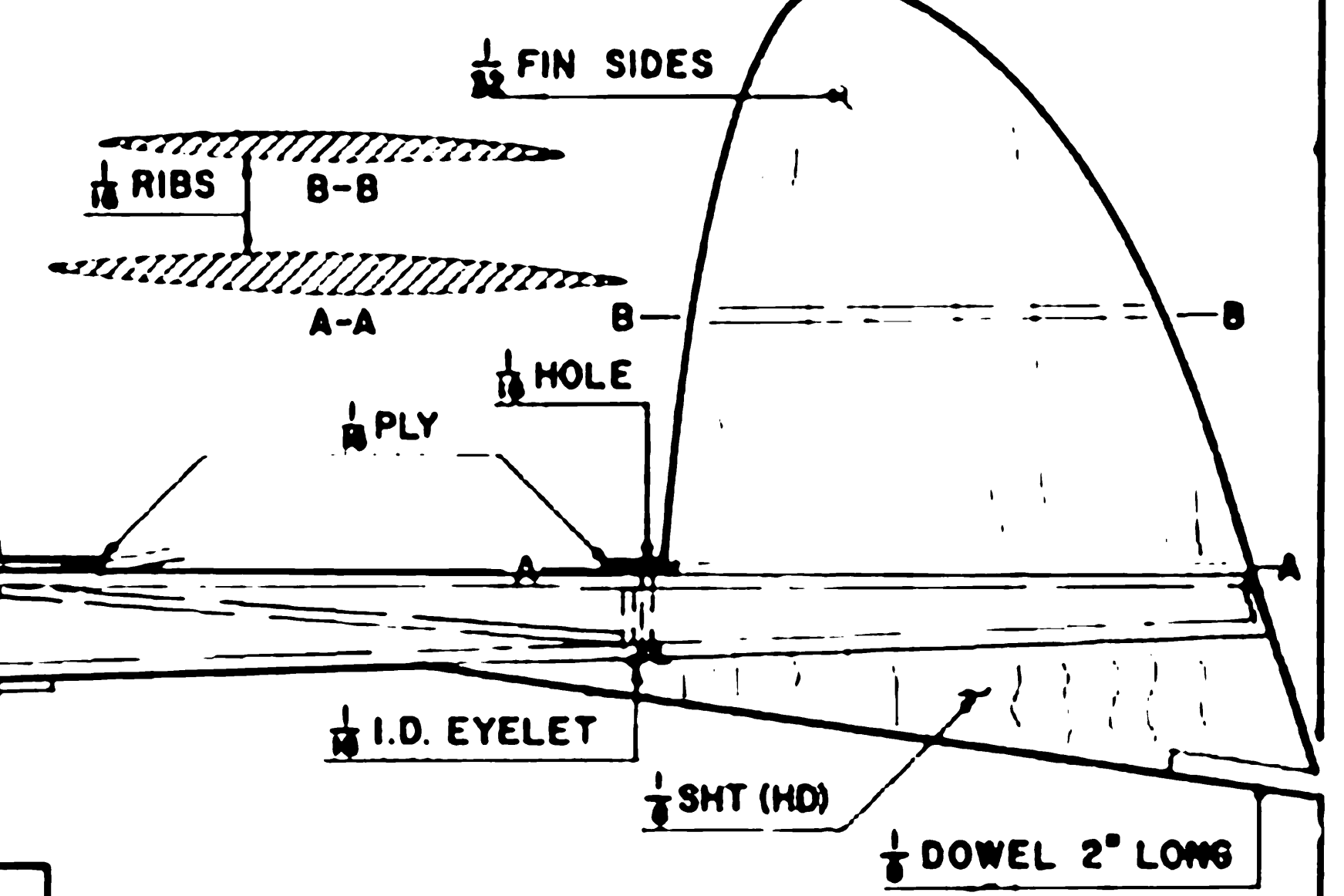
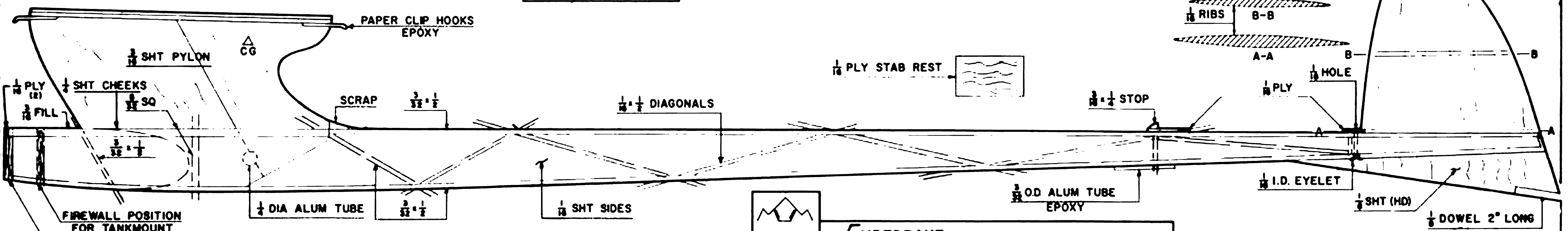
TILT STAB FOR GLIDE TURN

1° TO 3° LEFT THRUST MAY BE REQUIRED. NO DOWN



BUILD STAB WITH EPOXY FOR LIGHT WEIGHT

STAB WEIGHT:  $\frac{1}{8}$  TO  $\frac{1}{4}$  oz (UNCOVERED)



**FYREDRAKE** BY LARRY SICURANZA  
 Span: 45"  
 Proj Area: 262  
 Power: .049 - .051  
 Weight: 6 oz.  
 CAUTION! DO NOT SCALE MORE THAN 10% FOR .07 TO .09!

0 1 2 3 4 5 6 inches  
**MODEL BUILDER** magazine  
 Plan No: 9752