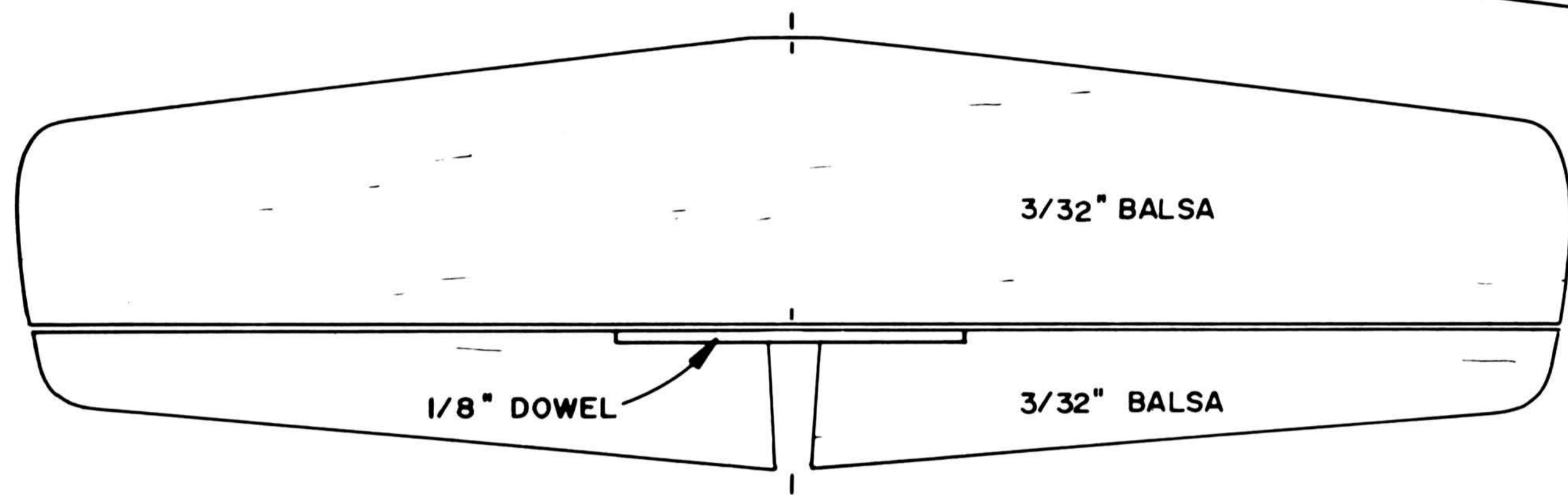


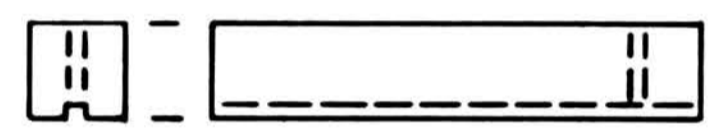
1 1/2" DIHEDRAL UNDER EACH WING TIP



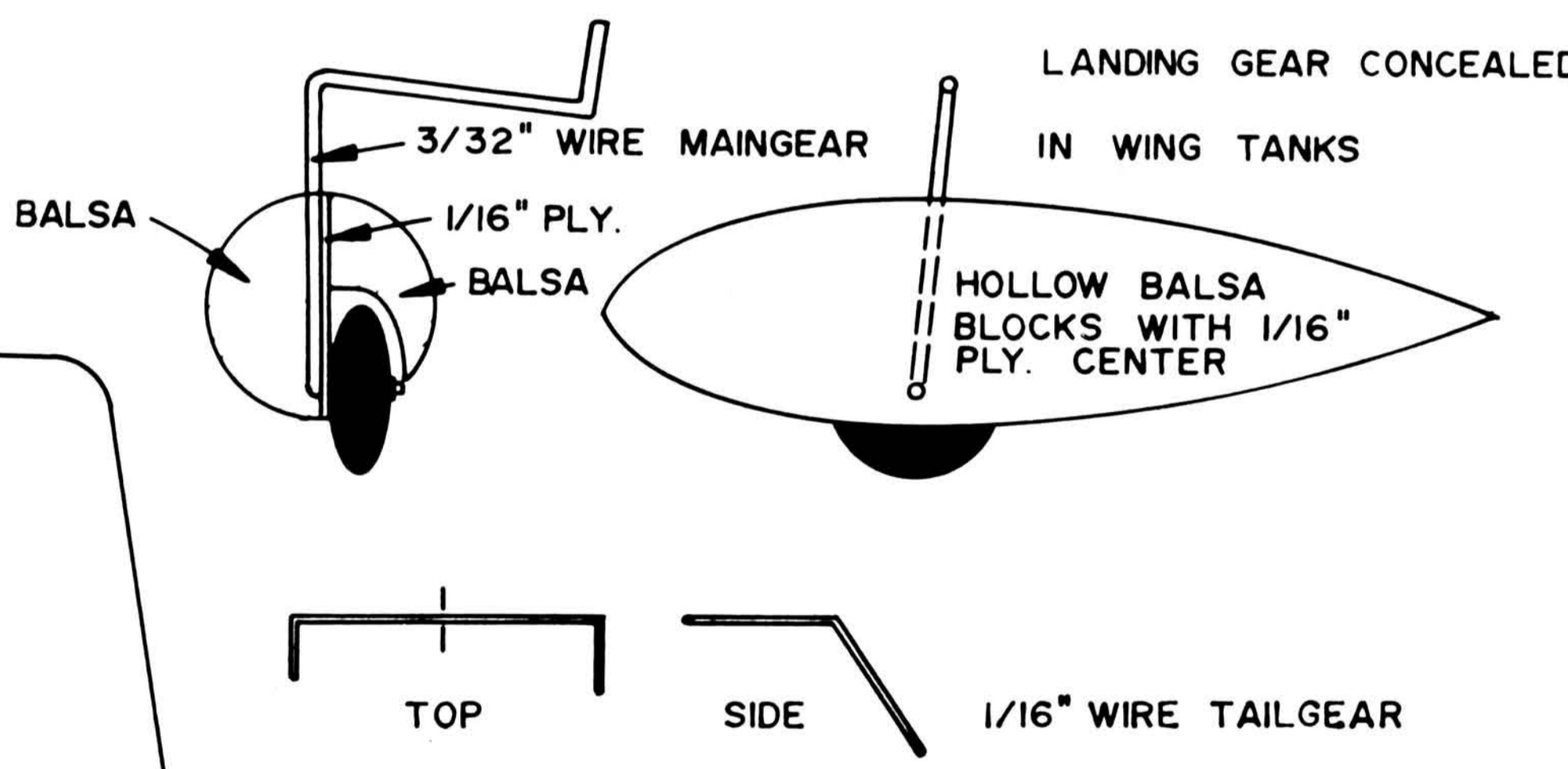
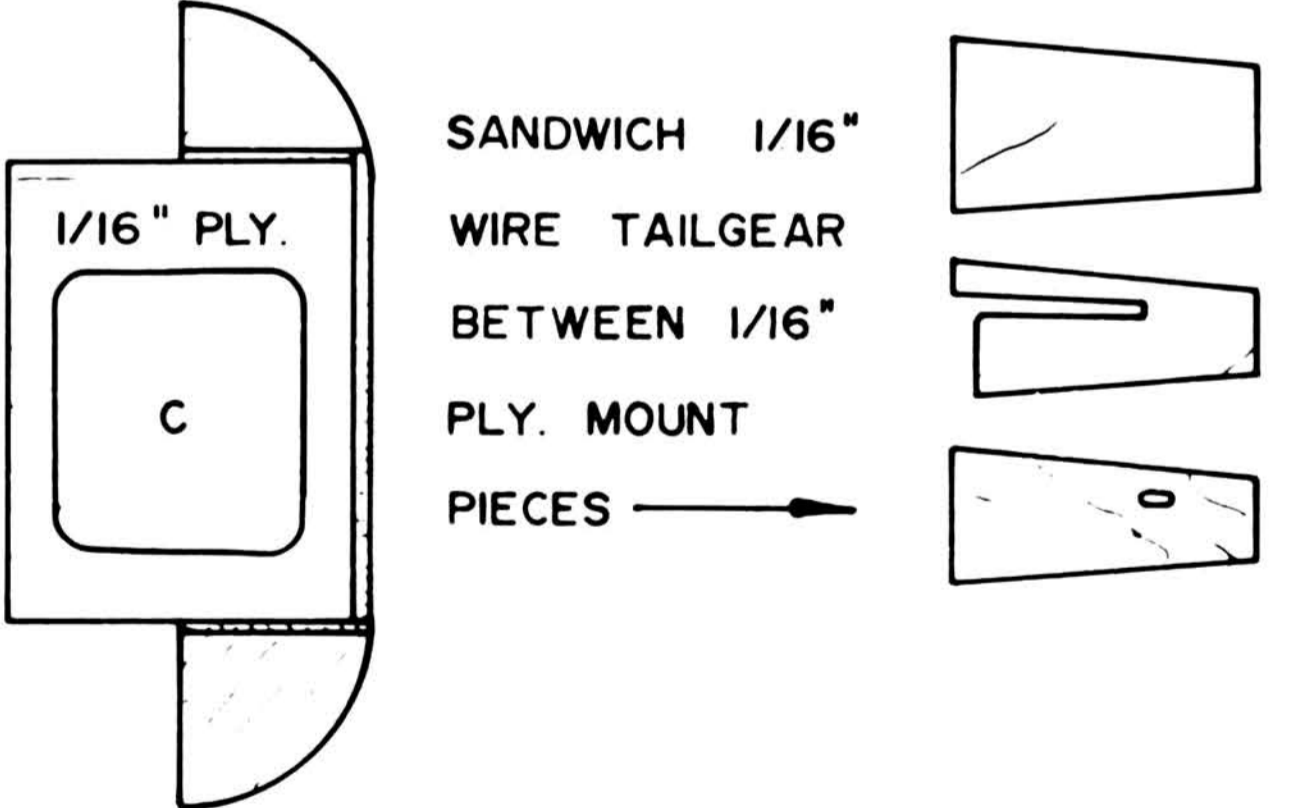
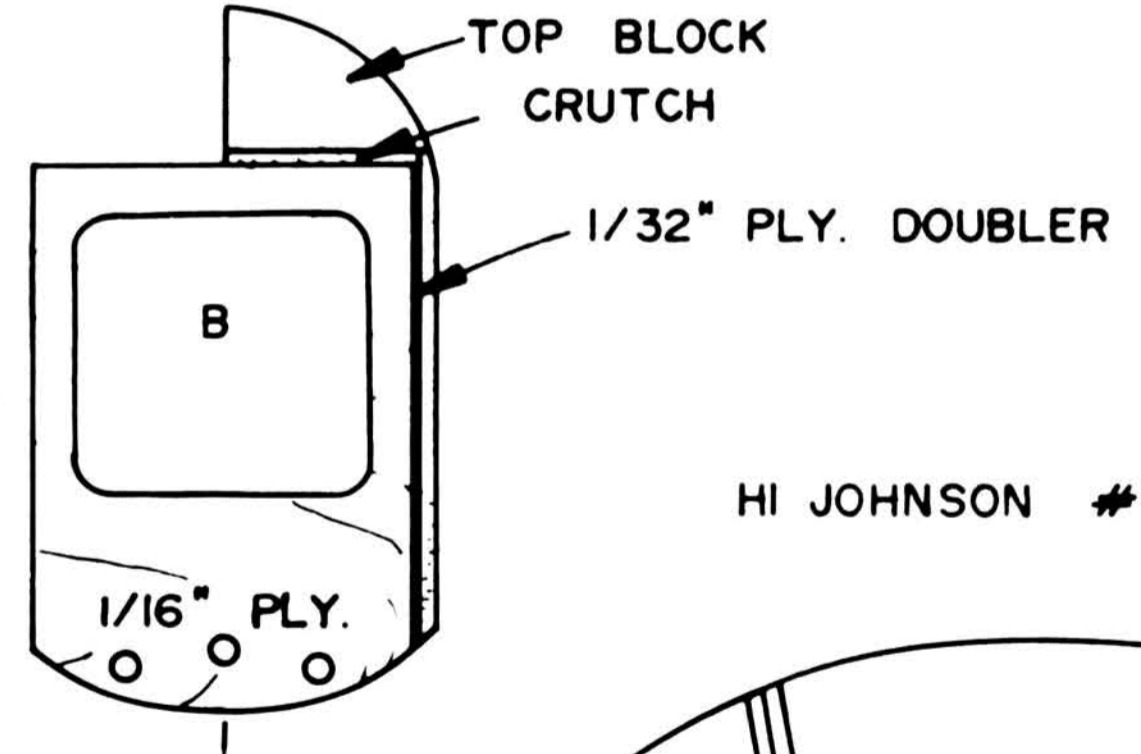
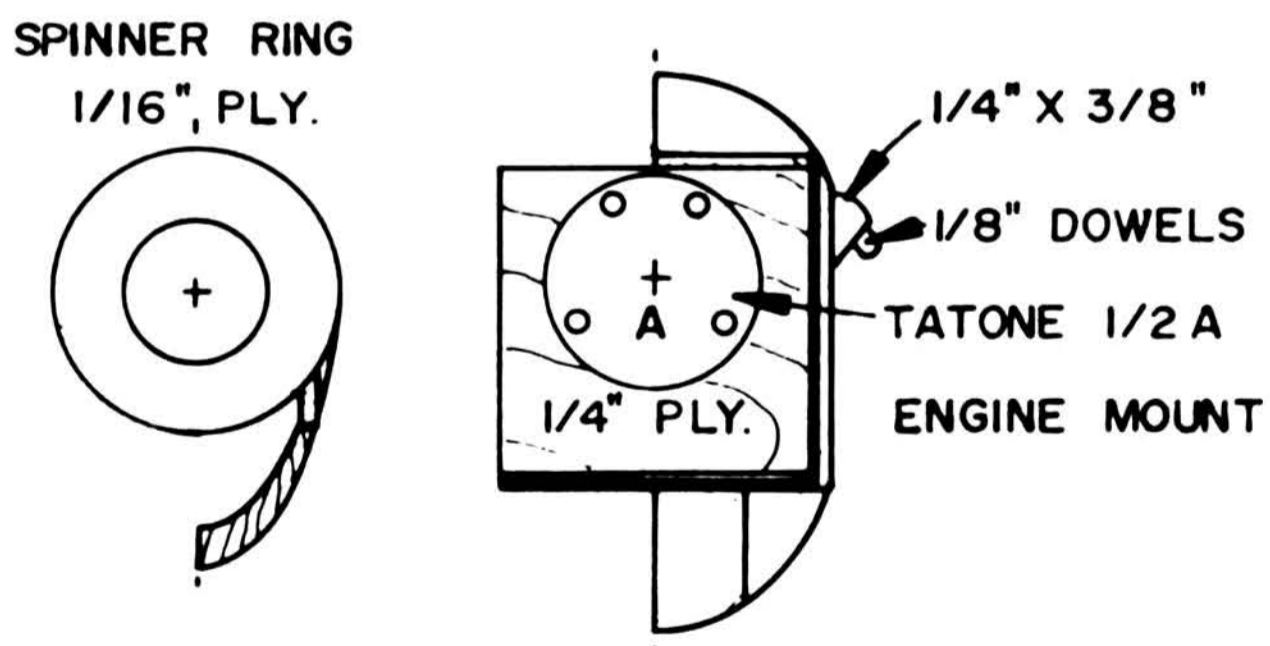
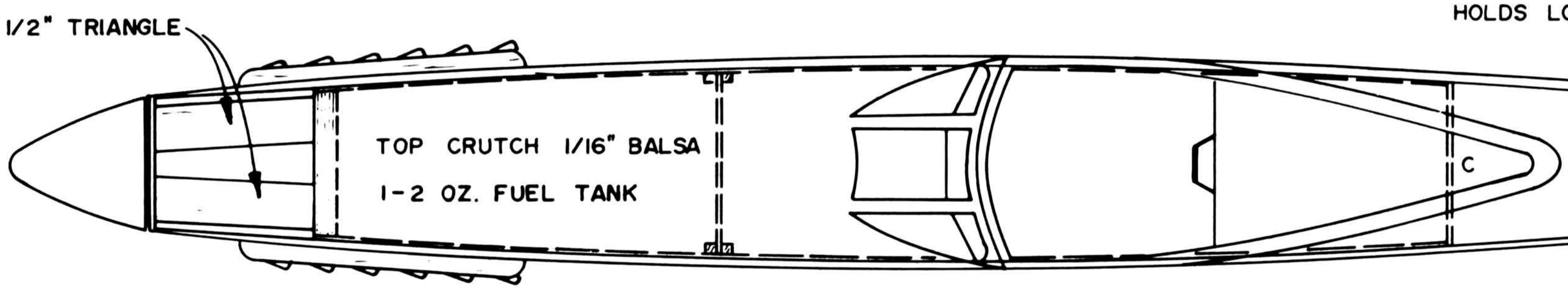
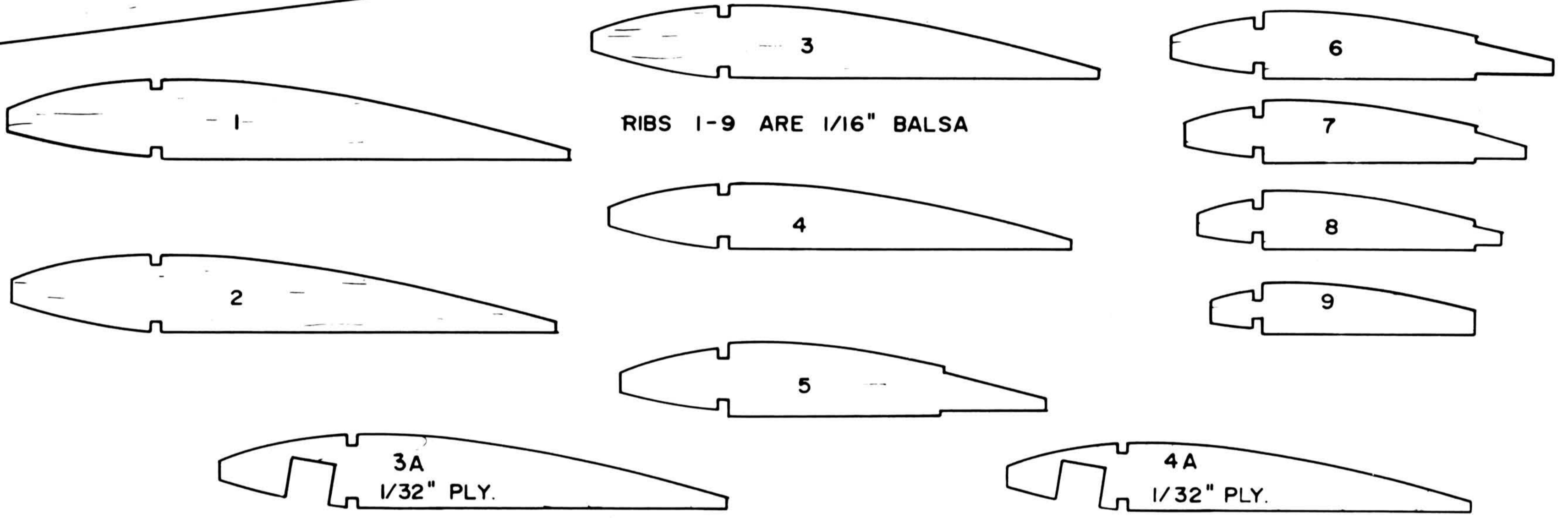
WRAP WING CENTER JOINT WITH 3/4" NYLON CLOTH TAPE AND GLUE

RIB ANGLE GUIDE

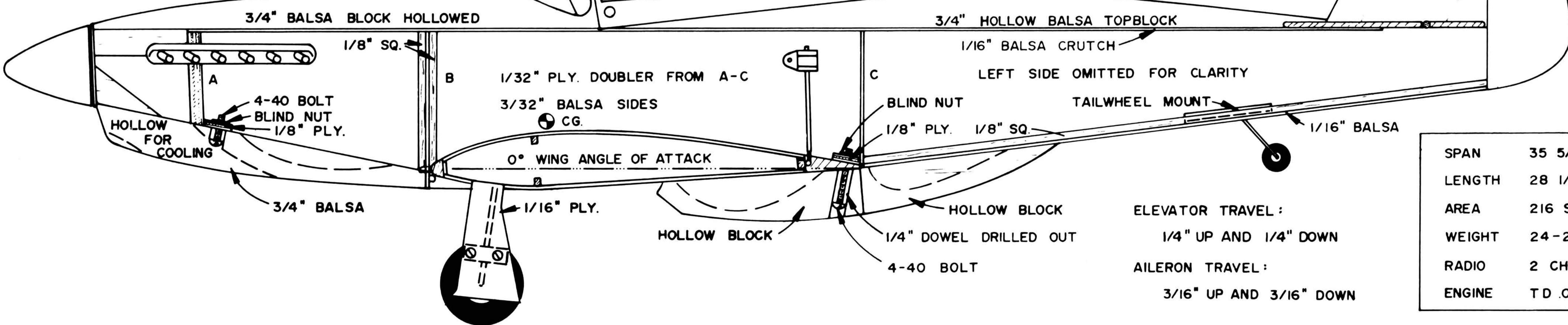
SLOTTED 1/2" SQ. PINE LG BLOCKS



HEADS OF #4 SM SCREWS HOLDS LG WIRE IN BLOCKS



GOLDBERG 1 1/2" SPINNER



SPAN	35 5/8"
LENGTH	28 1/2"
AREA	216 SQ. IN.
WEIGHT	24-28 OZ.
RADIO	2 CHANNEL
ENGINE	T.D. 049-.051

ELEVATOR TRAVEL : 1/4" UP AND 1/4" DOWN

AILERON TRAVEL : 3/16" UP AND 3/16" DOWN

© RCM ALL COMMERCIAL RIGHTS RESERVED

1/2A P-51D MUSTANG

DESIGNED AND DRAWN BY FRED REESE

0 1 2 3 4 5 6